

Jones

... Since 1890



Bearing Catalog

Pillow Blocks

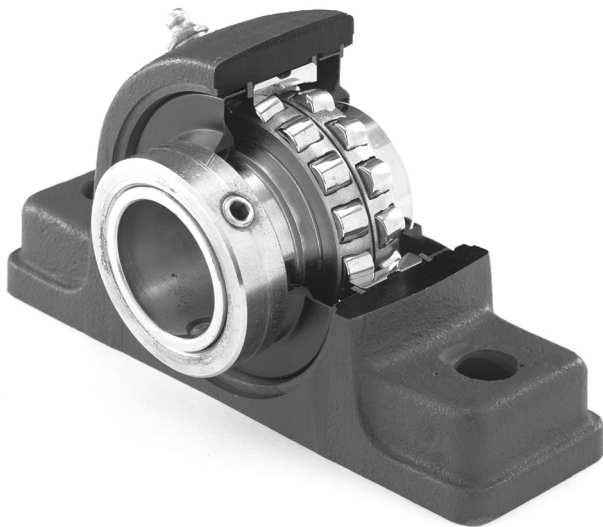
Spherical Units

Takeups

Jones Bearing Company is a manufacturing and marketing company with plants based in the USA. *Jones* is a part of a group of companies that manufactures and sells mechanical power transmission components and conveyor systems.

Jones has extensive engineering, manufacturing and marketing expertise in the field of mechanical power transmission and conveying equipment. In addition to roller bearing pillow blocks, *Jones* manufactures flange blocks, take ups, elevator boot bearing assemblies, pulley shaft and conveyor shaft assemblies. The past experience gained as a total manufacturer for the power transmission and conveying industries is essential for the development and application of a premier product line for general industry.

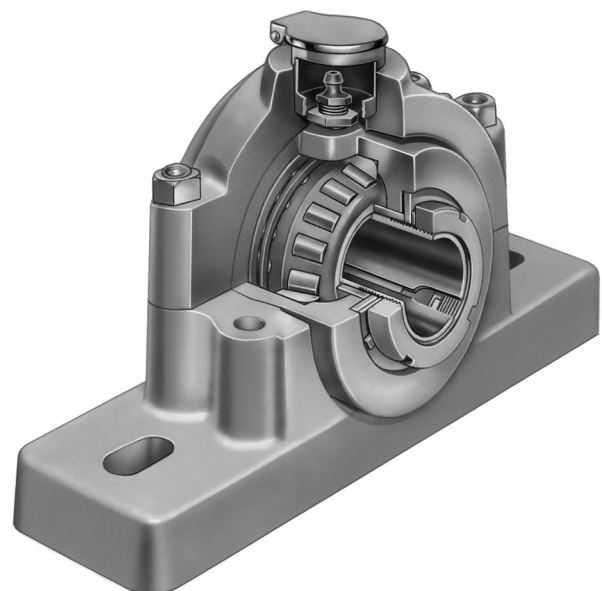
Jones 2000 Series Pillow Blocks



- High Quality USA Made Spherical Roller Bearings
- Internal Misalignment
- Triple Labyrinth Seal
- Collar Mounted
- Interchanges with Most Major Brands

Jones PB1000 Extra Heavy Duty Pillow Blocks

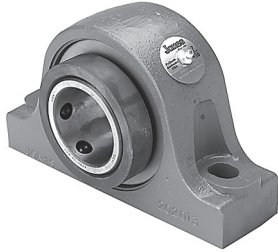
- Heaviest Production Pillow Block
- Dual Tapered Roller Bearings
- All Steel High Temperature Seals
- Adapter Sleeve Mounted
- Highest Load Ratings Available



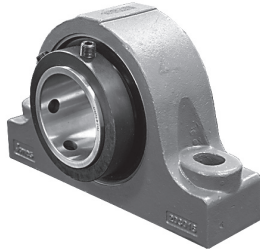
Contents

Jones is a full-line manufacturer of mounted spherical roller bearings and standard and heavy duty takeups. This catalog includes many of our industry standard designs.

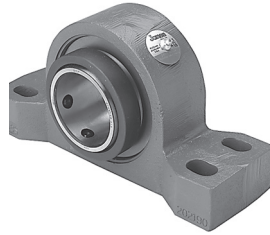
If you cannot find the takeup or bearing unit you require in this catalog, call Jones. We are flexible and will engineer the component you require to meet your most exacting specifications.



JA-2000
Pillow Blocks
Pg. 2



JA-2000S
Pillow Blocks
Pg. 3



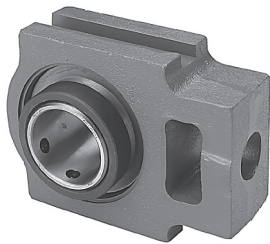
JE-2000
Pillow Blocks
Pg. 4-5



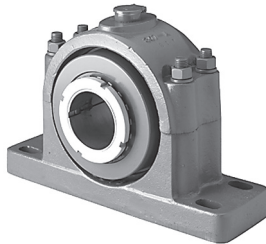
JYR-2000/5000
Flanged Bearings
Pg. 6-7



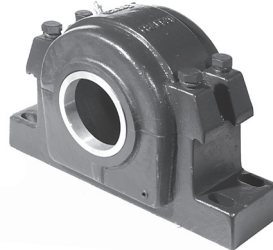
JYRP-2000/5000
Piloted Flange Bearings
Pg. 8-9



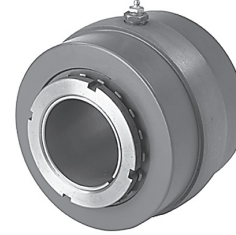
JT-2000/JT-5000
Takeup Blocks
Pg. 10



PB-1000
Extra Heavy Duty
Pillow Blocks
Pg. 14



SAF-22500
Split Pillow Block
Pg. 12-13



Heavy Duty
Spherical Units
Pg. 15



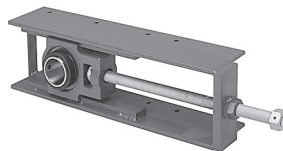
Roller Bearings
Pg. 11



JHT-2000/JHT-5000
Center-Pull Takeups
Pg. 16



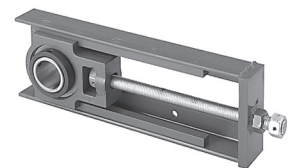
JGT-2000/JGT-5000
Head-End Takeups
Pg. 17



JFT-2000
Boot-End Takeups
Pg. 17



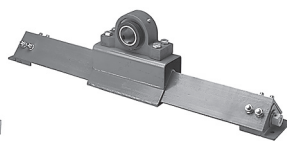
Type CU
Compensating Foot Takeups
Pg. 18



JAT-2000
Normal Duty Takeups
Pg. 18



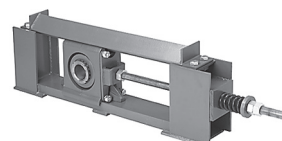
JNT-2000
Protected Screw
Takeup Assemblies
Pg. 19



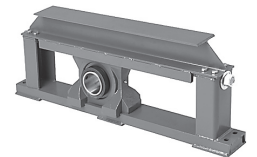
Type TFT
Pillow Block
Takeup Frames
Pg. 20-21



JSB-2800
Rigid Sleeve
Bearing Takeups
Pg. 22



JPS-3800
Extra Heavy Duty
Protected Screw Takeups
Pg. 23



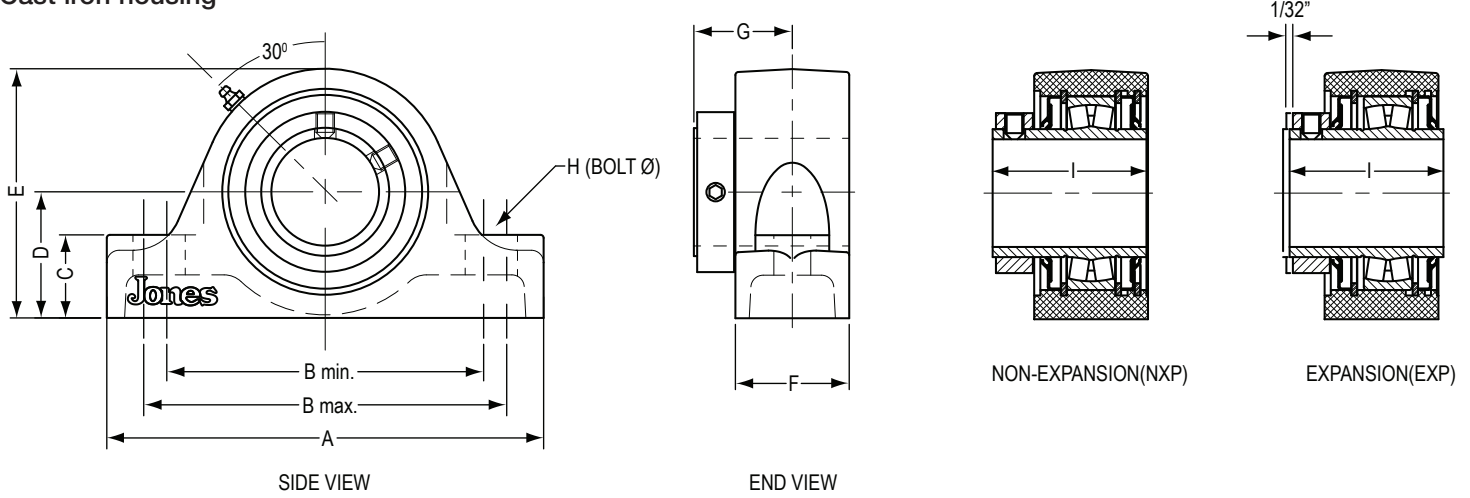
JHS-B22500H
I-Frame
Heavy Duty Takeups
Pg. 24

Pillow Blocks (2-Bolt)

JA-2000

Jones

- Fully self-aligning
- Fixed and expansion units
- Cast iron housing



SHAFT DIA.	ASSEMBLY DESIGNATION	TOTAL WEIGHT LBS.	A	B		C	D	E	F	G	H bolt Ø	I
				MIN	MAX							
17/16	JA2107	6.5	67/8	411/16	55/16	13/16	17/8	37/8	21/8	13/4	1/2	23/4
11/2	JA2108	6.5		411/16	55/16	13/16	17/8	37/8	21/8	13/4	1/2	23/4
111/16	JA2111	8.5	73/8	53/16	513/16	15/16	21/8	41/4	21/8	17/8	1/2	27/8
13/4	JA2112	8.0		53/16	513/16	15/16	21/8	41/4	21/8	17/8	1/2	27/8
115/16	JA2115	10.5	83/8	515/16	69/16	13/8	21/4	45/8	23/8	17/8	5/8	27/8
2	JA2200	10.0		515/16	69/16	13/8	21/4	45/8	23/8	17/8	5/8	27/8
23/16	JA2203	12.0	87/8	67/16	71/16	15/8	21/2	5	23/8	2	5/8	31/8
27/16	JA2207	18.0	91/4	613/16	77/16	13/4	23/4	511/16	25/8	21/8	5/8	33/8
21/2	JA2208	17.0		613/16	77/16	13/4	23/4	511/16	25/8	21/8	5/8	33/8
211/16	JA2211	24.0	101/2	713/16	87/16	21/4	31/4	67/16	25/8	23/8	3/4	35/8
23/4	JA2212	24.0										
215/16	JA2215	22.0										
3	JA2300	22.0										
37/16	JA2307	34.0	13	91/4	103/4	21/4	33/4	71/2	3	25/8	7/8	41/32
31/2	JA2308	33.8										
311/16	JA2311	49.8	141/4	10	113/4	21/2	41/8	87/16	33/8	3	1	419/32
315/16	JA2315	48.0										
4	JA2400	48.0										

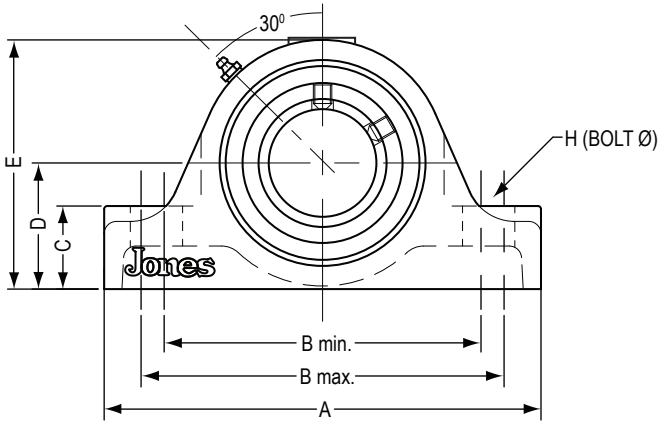
NOTE: For expansion unit specify EXP.
 Steel Housings - see page 3.
 All units come as standard with triple guard seal.

Pillow Blocks (2-Bolt)

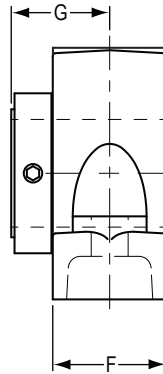
JA-2000S

Jones

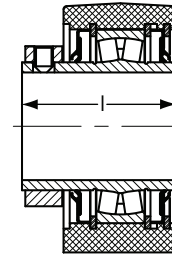
- Fully self-aligning
- Fixed and expansion units
- Cast steel housing



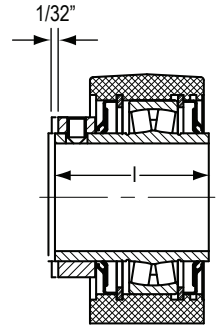
SIDE VIEW



END VIEW



NON-EXPANSION(NXP)



EXPANSION(EXP)

SHAFT DIA.	ASSEMBLY DESIGNATION	WEIGHT LBS.	A	B		C	D	E	F	G	H bolt Ø	I
				MIN	MAX							
17/16	JA2107S	7.5	67/8	411/16	55/16	13/16	17/8	37/8	21/8	13/4	1/2	23/4
11/2	JA2108S	7.5		411/16	55/16	13/16	17/8	37/8	21/8	13/4	1/2	23/4
111/16	JA2111S	10.1	73/8	53/16	513/16	15/16	21/8	41/4	21/8	17/8	1/2	27/8
13/4	JA2112S	10.1		53/16	513/16	15/16	21/8	41/4	21/8	17/8	1/2	27/8
115/16	JA2115S	11.3	83/8	515/16	69/16	13/8	21/4	45/8	23/8	17/8	5/8	27/8
2	JA2200S	11.3		515/16	69/16	13/8	21/4	45/8	23/8	17/8	5/8	27/8
23/16	JA2203S	12.9	87/8	67/16	71/16	15/8	21/2	5	23/8	2	5/8	31/8
27/16	JA2207S	18.9	91/4	613/16	77/16	13/4	23/4	511/16	25/8	21/8	5/8	33/8
21/2	JA2208S	18.9		613/16	77/16	13/4	23/4	511/16	25/8	21/8	5/8	33/8
211/16	JA2211S	25.2	101/2	713/16	87/16	21/4	31/4	67/16	25/8	23/8	3/4	35/8
23/4	JA2212S	25.2										
215/16	JA2215S	25.2										
3	JA2300S	24.0										
37/16	JA2307S	36.0	13	91/4	103/4	21/4	33/4	71/2	3	25/8	7/8	41/32
31/2	JA2308S	36.0										
311/16	JA2311S	49.9	141/4	10	113/4	21/2	41/8	87/16	33/8	3	1	419/32
315/16	JA2315S	49.9										
4	JA2400S	49.9										

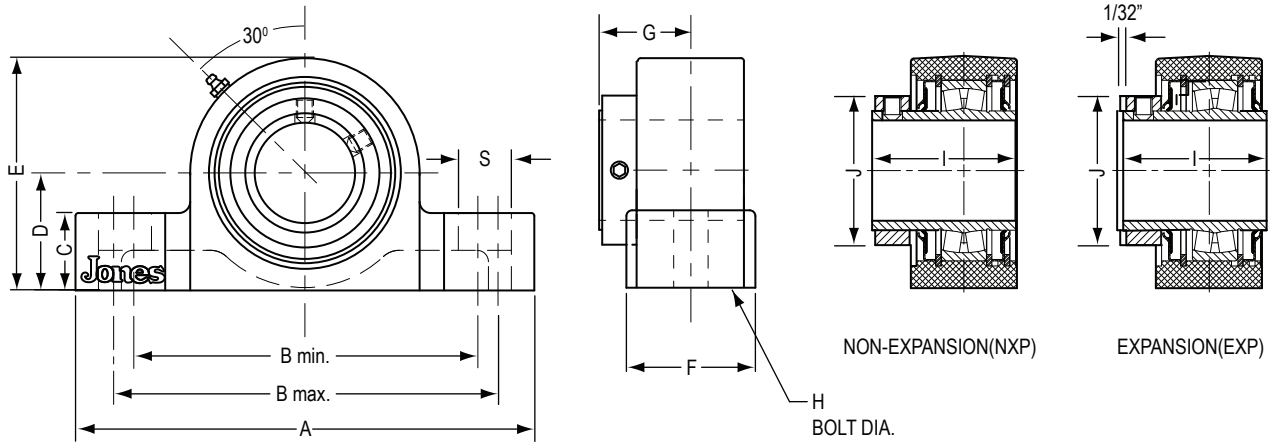
NOTE: For expansion unit specify EXP

Pillow Blocks (2-Bolt)

JE-2000

Jones

- Fully self-aligning
- Fixed and expansion units



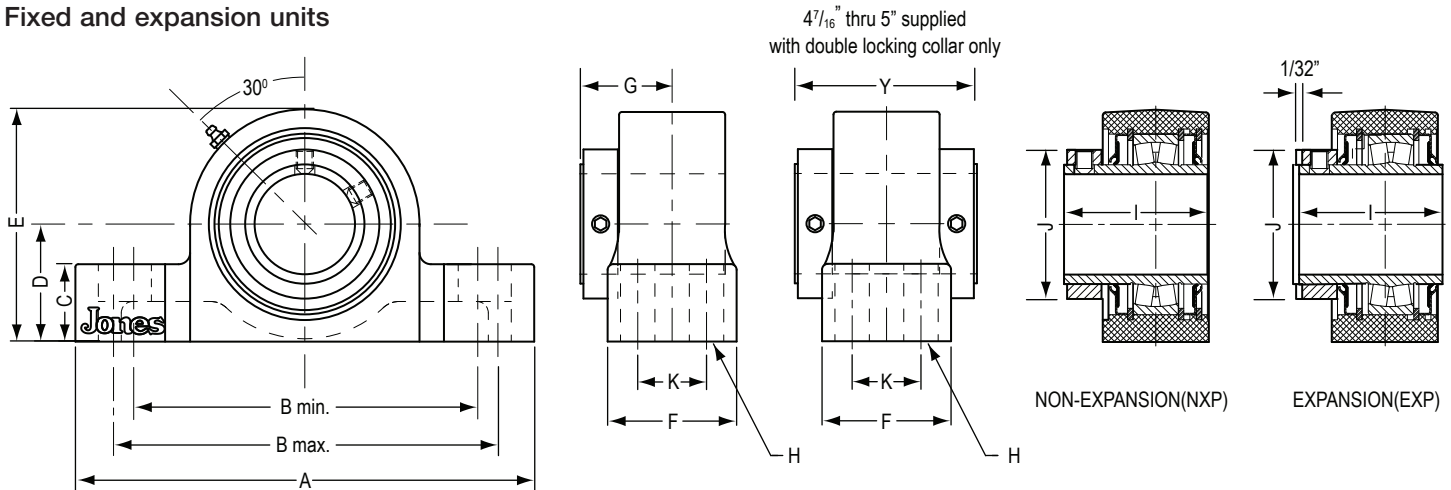
SHAFT DIA.	ASSEMBLY DESIGNATION	TOTAL WT. (LBS.)	A	B		C	D	E	F	G	H BOLT Ø	I	J	S
				min.	max.									
1 3/8	JE2106	8.4	7 3/8	5 1/2	6	1 1/8	1 7/8	3 7/8	2 1/8	1 3/4	1/2	2 3/4	2 3/8	3/4
1 7/16	JE2107	8.0		5 1/2	6	1 1/8	1 7/8	3 7/8	2 1/8	1 3/4	1/2	2 3/4	2 3/8	3/4
1 1/2	JE2108	9.8	7 7/8	6 1/8	6 3/8	1 1/4	2 1/8	4 1/4	2 3/8	1 7/8	1/2	2 7/8	2 5/8	3/4
1 5/8	JE2110	9.6		6 1/8	6 3/8	1 1/4	2 1/8	4 1/4	2 3/8	1 7/8	1/2	2 7/8	2 5/8	3/4
1 11/16	JE2111	9.3		6 1/8	6 3/8	1 1/4	2 1/8	4 1/4	2 3/8	1 7/8	1/2	2 7/8	2 5/8	3/4
1 3/4	JE2112	9.3	8 7/8	6 3/4	7 1/4	1 5/16	2 1/4	4 1/2	2 1/2	1 7/8	5/8	2 7/8	2 7/8	7/8
1 7/8	JE2114	10.7		6 3/4	7 1/4	1 5/16	2 1/4	4 1/2	2 1/2	1 7/8	5/8	2 7/8	2 7/8	7/8
1 15/16	JE2115	10.5		6 3/4	7 1/4	1 5/16	2 1/4	4 1/2	2 1/2	1 7/8	5/8	2 7/8	2 7/8	7/8
2	JE2200	10.5		6 3/4	7 1/4	1 5/16	2 1/4	4 1/2	2 1/2	1 7/8	5/8	2 7/8	2 7/8	7/8
2 3/16	JE2203	13.5	9 5/8	7 1/2	8	1 1/2	2 1/2	5	2 5/8	2	5/8	3 1/8	3 1/4	7/8
2 1/4	JE2204	18.7	10 1/2	8 1/4	8 3/4	1 3/8	2 3/4	5 11/16	2 7/8	2 1/8	5/8	3 3/8	4	7/8
2 7/16	JE2207	18.5		8 1/4	8 3/4	1 3/8	2 3/4	5 11/16	2 7/8	2 1/8	5/8	3 3/8	4	7/8
2 1/2	JE2208	18.5		8 1/4	8 3/4	1 3/8	2 3/4	5 11/16	2 7/8	2 1/8	5/8	3 3/8	4	7/8
2 11/16	JE2211	26.5	12	9 1/4	9 3/4	1 7/8	3 1/8	6 5/16	3	2 3/8	3/4	3 5/8	4 1/2	1
2 3/4	JE2212	25.5		9 1/4	9 3/4	1 7/8	3 1/8	6 5/16	3	2 3/8	3/4	3 5/8	4 1/2	1
2 15/16	JE2215	22.5		9 1/4	9 3/4	1 7/8	3 1/8	6 5/16	3	2 3/8	3/4	3 5/8	4 1/2	1
3	JE2300	22.5		9 1/4	9 3/4	1 7/8	3 1/8	6 5/16	3	2 3/8	3/4	3 5/8	4 1/2	1
3 3/16	JE2303	36.2	14	10 11/16	11 5/8	2 1/4	3 3/4	7 1/2	3 5/8	2 7/8	7/8	4 1/32	5 1/8	1 3/16
3 1/4	JE2304	36.0		10 11/16	11 5/8	2 1/4	3 3/4	7 1/2	3 5/8	2 7/8	7/8	4 1/32	5 1/8	1 3/16
3 7/16	JE2307	35.5		10 11/16	11 5/8	2 1/4	3 3/4	7 1/2	3 5/8	2 7/8	7/8	4 1/32	5 1/8	1 3/16
3 1/2	JE2308	35.5		10 11/16	11 5/8	2 1/4	3 3/4	7 1/2	3 5/8	2 7/8	7/8	4 1/32	5 1/8	1 3/16
				10 11/16	11 5/8	2 1/4	3 3/4	7 1/2	3 5/8	2 7/8	7/8	4 1/32	5 1/8	1 3/16

Pillow Blocks (4-Bolt)

JE-2000

Jones

- Fully self-aligning
- Fixed and expansion units



SHAFT DIA.	ASSEMBLY DESIGNATION	TOTAL WT. (LBS.)	A	B		C	D	E	F	G	H BOLT Ø	I	J	K	Y
				min.	max.										
2¼	JE2204F	19.3	10½	8¼	8¾	1½	2¾	5½	3½	2½	¾	3¾	4¼	1¾	—
2⅞	JE2207F	19.0													
2½	JE2208F	19.0													
2⅞	JE2211F	28.1	12	9½	9¾	1¾	3½	6⅞	4	2¾	¾	3½	4⅝	2½	—
2¾	JE2212F	28.1													
2⅞	JE2215F	28.0													
3	JE2300F	28.0													
3⅞	JE2303F	38.0	14	10⅞	11⅞	2¼	3¾	7½	4½	2½	¾	4½	5⅞	2¾	—
3¼	JE2304F	38.0													
3⅞	JE2307F	38.0													
3½	JE2308F	37.6													
3⅞	JE2311F	55.0	15¼	12	13	2⅞	4¼	8⅞	4½	3	¾	4⅞	6	2¼	—
3⅞	JE2315F	55.0													
4	JE2400F	53.0													
4⅞	JE5407F	75.0	16⅞	13½	13⅞	2¾	4¾	9¾	4⅞	3⅞	¾	6½	6⅞	2½	6½
4½	JE5408F	75.0													
4⅞	JE5415F	106.0	18½	15½	15⅞	3	5½	10⅞	5½	3⅞	⅞	6⅞	7⅞	2⅞	6⅞
5	JE5500F	106.0													
5⅞	JE5507F	230.0	22	17¾	19½	¾	6⅞	13⅞	6¼	4½	1	9	9¾	3¾	—
5⅞	JE5515F	250.0													
6	JE5600F	245.0													
6⅞	JE5607F	356.0	26	21¼	23¼	3⅞	7½	14⅞	7½	5¼	1	10½	11¾	4¾	—
6½	JE5608F	350.0													
6⅞	JE5615F	340.0													
7	JE5700F	335.0													

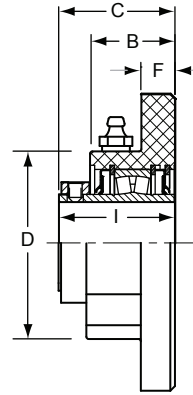
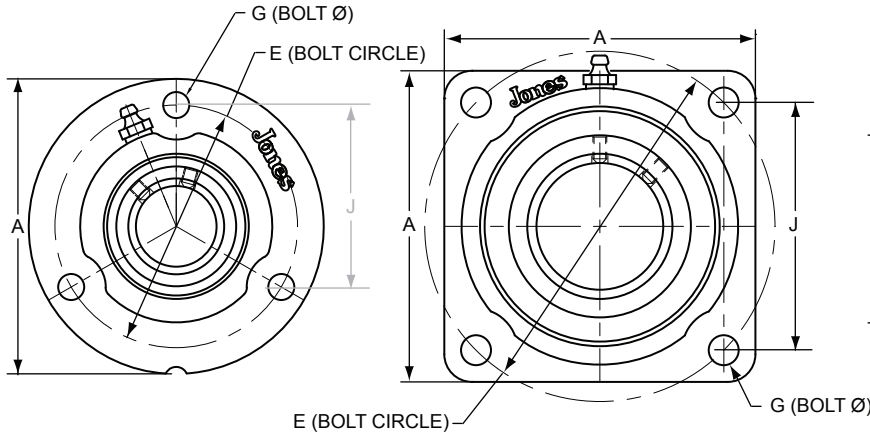


Flanged Bearings

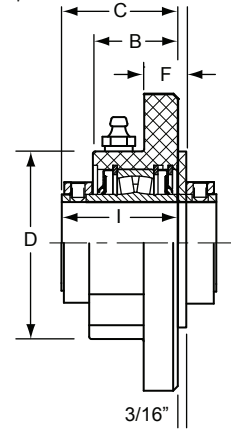
JYR-2000

Jones

- Fully self-aligning
- Fixed and expansion units



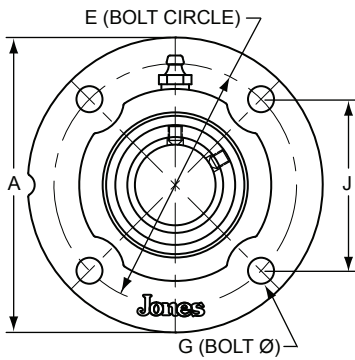
STD. FLANGE



FLANGE WITH PILOT

ASSEMBLY JYR2107 SHAFT Ø 17/16" ONLY

SQUARE FLANGE ASSEMBLIES JYR2307(S) & JYR2315(S)



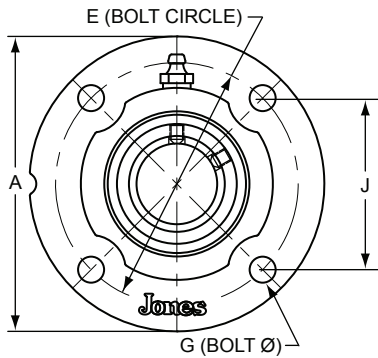
SHAFT DIA.	ASSEMBLY DESIGNATION	TOTAL WEIGHT LBS.	A	B	C	D	E bolt circle (1)	F	G bolt Ø	H +.000 - .003	I	J		
1 ⁷ / ₁₆	JYR2107	7.0	6 ¹ / ₄	2 ¹ / ₈	2 ⁷ / ₈	3 ³ / ₄	5	3 ³ / ₄	3@1 ¹ / ₂	3.562	2 ³ / ₄	4 ²¹ / ₆₄		
1 ¹ / ₂	JYR2108													
1 ¹¹ / ₁₆	JYR2111	10.5	6 ³ / ₄	2 ¹ / ₈	3	4 ¹ / ₈	5 ¹ / ₂	3 ³ / ₄	4@1 ¹ / ₂	4.062	2 ⁷ / ₈	3 ⁵⁷ / ₆₄		
1 ³ / ₄	JYR2112													
1 ¹⁵ / ₁₆	JYR2115	12.0	7	2 ³ / ₈	3	4 ¹ / ₂	5 ³ / ₄	3 ³ / ₄	4@1 ¹ / ₂	4.375	2 ⁷ / ₈	4 ¹ / ₁₆		
2	JYR2200													
2 ³ / ₁₆	JYR2203	13.5	7 ³ / ₄	2 ³ / ₈	3 ¹ / ₄	5 ¹ / ₈	6 ³ / ₈	3 ³ / ₄	4@5 ⁸ / ₁₆	5.000	3 ¹ / ₈	4 ¹ / ₂		
2 ⁷ / ₁₆	JYR2207	20.0	8 ¹ / ₈	2 ⁵ / ₈	3 ¹ / ₂	5 ⁷ / ₈	6 ³ / ₄	1 ⁵ / ₁₆	4@5 ⁸ / ₁₆	5.437	3 ³ / ₈	4 ⁴⁹ / ₆₄		
2 ¹ / ₂	JYR2208													
2 ¹¹ / ₁₆	JYR2211	27.0	9 ¹ / ₂	2 ⁵ / ₈	3 ⁷ / ₈	6 ³ / ₈	7 ⁷ / ₈	1 ⁵ / ₁₆	4@3 ⁴ / ₈	6.312	3 ⁵ / ₈	5 ⁹ / ₁₆		
2 ³ / ₄	JYR2212													
2 ¹⁵ / ₁₆	JYR2215	26.0	9 ¹ / ₂	2 ⁵ / ₈	3 ⁷ / ₈	6 ³ / ₈	7 ⁷ / ₈	1 ⁵ / ₁₆	4@3 ⁴ / ₈	6.312	3 ⁵ / ₈	5 ⁹ / ₁₆		
3	JYR2300													
3 ⁷ / ₁₆	JYR2307	40.0	11 ¹ / ₈	3 ³ / ₁₆	4 ⁹ / ₃₂	7 ³ / ₈	9 ¹ / ₂	1 ¹ / ₈	4@3 ⁴ / ₈	7.375	4 ¹ / ₃₂	6 ²³ / ₃₂		
3 ¹ / ₂	JYR2308													
3 ⁷ / ₁₆	JYR2307S	32.0	8 ⁷ / ₁₆	3 ³ / ₁₆	4 ⁹ / ₃₂	7 ³ / ₈	9 ¹ / ₂	1 ¹ / ₈	4@3 ⁴ / ₈	7.375	4 ¹⁹ / ₃₂	6 ²³ / ₃₂		
3 ¹ / ₂	JYR2308S													
3 ¹¹ / ₁₆	JYR2311	55.0												
3 ¹⁵ / ₁₆	JYR2315			12 ⁵ / ₈	3 ³ / ₈	4 ²⁷ / ₃₂	8 ³ / ₈	10 ³ / ₄	1 ¹ / ₈	4@7 ⁸ / ₁₆	8.500	4 ¹⁹ / ₃₂	7 ¹⁹ / ₃₂	
4	JRY2400													
3 ¹¹ / ₁₆	JYR2311S	46.0												
3 ¹⁵ / ₁₆	JYR2315S			9 ³ / ₄	3 ³ / ₈	4 ²⁷ / ₃₂	8 ³ / ₈	10 ³ / ₄	1 ¹ / ₈	4@7 ⁸ / ₁₆	8.500	4 ¹⁹ / ₃₂	7 ¹⁹ / ₃₂	
4	JYR2400S													

Flanged Bearings

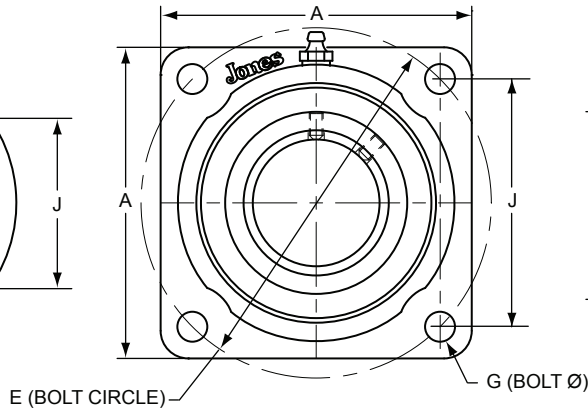
JYR-5000

Jones

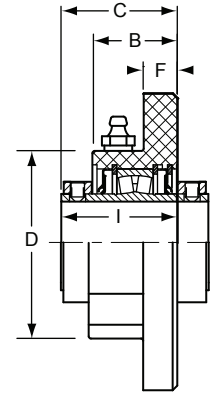
- Fully self-aligning
- Fixed and expansion units



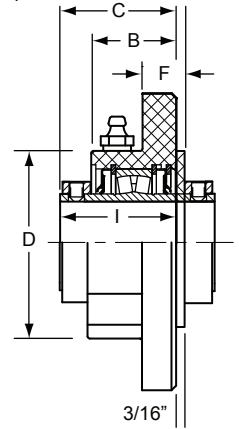
ASSEMBLIES JYR5215 - 5308, JYR5311-5400



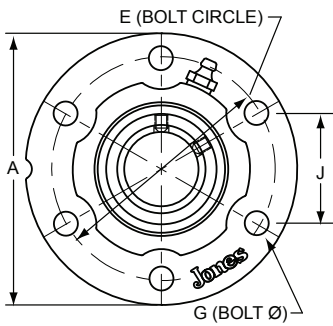
SQUARE FLANGE ASSEMBLIES JYR5307(S) - 5308(S)
& JYR5311(S) - 5400(S)



STD. FLANGE



FLANGE WITH PILOT



ASSEMBLIES JYR5407-5500

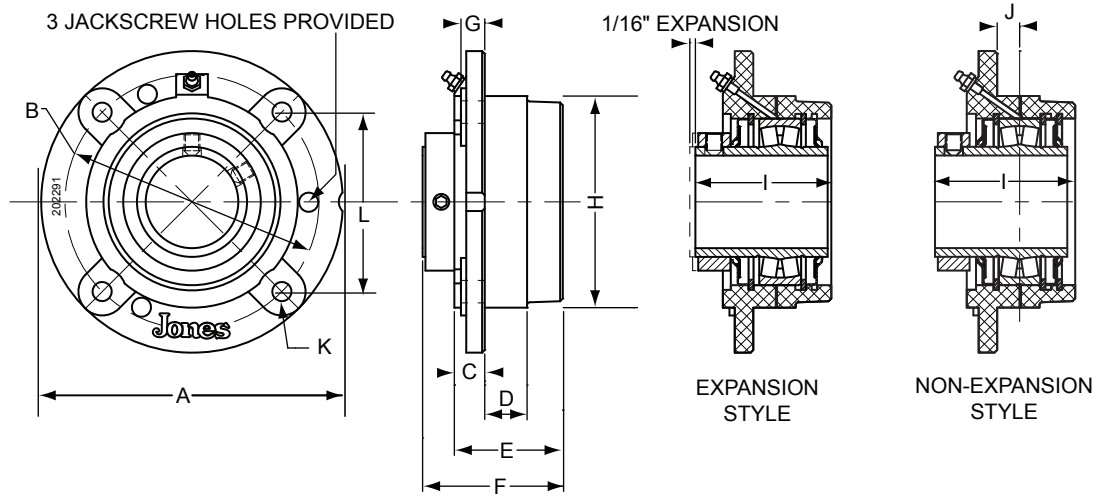
SHAFT DIA.	ASSEMBLY DESIGNATION	TOTAL WEIGHT LBS.	A	B	C	D	E bolt circle (1)	F	G bolt Ø	H +.000 - .003	I	J	
2 ¹⁵ / ₁₆	JYR5215	26.0	9 ¹ / ₂	2 ⁵ / ₈	3 ⁷ / ₈	6 ³ / ₈	7 ⁷ / ₈	1 ⁵ / ₁₆	4@ ³ / ₄	6.312	3 ³ / ₈	5 ⁹ / ₁₆	
3	JYR5300												
3 ⁷ / ₁₆	JYR5307	40.0	11 ¹ / ₈	3 ³ / ₁₆	4 ⁹ / ₃₂	7 ³ / ₈	9 ¹ / ₂	1 ¹ / ₈	4@ ³ / ₄	7.375	4 ¹ / ₃₂	6 ²³ / ₃₂	
3 ¹ / ₂	JYR5308												
3 ⁷ / ₁₆	JYR5307S	32.0	8 ⁷ / ₁₆	3 ³ / ₁₆	4 ⁹ / ₃₂	7 ³ / ₈	9 ¹ / ₂	1 ¹ / ₈	4@ ³ / ₄	7.375	4 ¹ / ₃₂	6 ²³ / ₃₂	
3 ¹ / ₂	JYR5308S												
3 ¹ / ₁₆	JYR5311	55.0	12 ⁵ / ₈	3 ³ / ₈	4 ²⁷ / ₃₂	8 ³ / ₈	10 ³ / ₄	1 ¹ / ₈	4@ ⁷ / ₈	8.500	4 ¹⁹ / ₃₂	7 ¹⁹ / ₃₂	
3 ¹⁵ / ₁₆	JYR5315												
4	JRY5400												
3 ¹ / ₁₆	JYR5311S	46.0	9 ³ / ₄	3 ³ / ₈	4 ²⁷ / ₃₂	8 ³ / ₈	10 ³ / ₄	1 ¹ / ₈	4@ ⁷ / ₈	8.500	4 ¹⁹ / ₃₂	7 ¹⁹ / ₃₂	
3 ¹⁵ / ₁₆	JYR5315S												
4	JYR5400S												
4 ⁷ / ₁₆	JYR5407	98.0	15 ¹ / ₈	4	5 ¹ / ₁₆	9 ¹ / ₂	12 ⁷ / ₈	1 ¹ / ₄	6@1	10.375	6 ¹ / ₈	6 ⁷ / ₁₆	
4 ¹ / ₂	JYR54008												
4 ¹⁵ / ₁₆	JYR5415	145.0	16 ¹ / ₂	4 ³ / ₈	5 ⁹ / ₁₆	11 ¹ / ₁₆	14	1 ¹ / ₂	6@1 ¹ / ₈	11.1875	6 ⁵ / ₈	7	
5	JYR5500												

Piloted Flange Bearings

JYRP-2000

Jones

- Fully self-aligning
- Fixed and expansion units



SHAFT DIA.	ASSEMBLY DESIGNATION	TOTAL WEIGHT LBS.	A	B	C	D	E	F	G	H	I	J	K bolt Ø	L
17/16	JYRP2107	6.30	5 1/4	4 3/8	23/32	3/4	2 1/4	257/64	1/2	3.625	2 3/4	25/64	3/8	3 3/32
1 1/2	JYRP2108													
1 11/16	JYRP2111	7.75	6 1/8	5 1/8	5/8	7/8	2 1/2	35/32	1/2	4.250	2 7/8	19/32	7/16	3 5/8
1 3/4	JYRP2112													
1 15/16	JYRP2115	8.5	6 3/8	5 3/8	5/8	7/8	2 1/2	35/32	9/16	4.500	2 7/8	19/32	7/16	3 51/64
2	JYRP2200													
2 3/16	JYRP2203	11.0	7 1/8	6	23/32	1	2 9/16	35/16	9/16	5.000	3 1/8	17/32	1/2	4 1/4
2 7/16	JYRP2207	14.0	7 5/8	6 1/2	13/16	1	2 5/8	3 1/2	5/8	5.500	3 3/8	7/16	1/2	4 9/32
2 1/2	JYRP2208													
2 11/16	JYRP2211	20.5	8 3/4	7 1/2	13/16	1 1/4	3 1/8	3 29/32	1 1/16	6.375	3 5/8	25/32	5/8	5 19/64
2 3/4	JYRP2212													
2 15/16	JYRP2215	19.5	10 1/4	8 5/8	1 1/16	1 1/4	3 3/16	4 7/32	7/8	7.375	4 1/32	1/2	3/4	6 3/32
3	JYRP2300													
3 7/16	JYRP2307	32.0	10 1/4	8 5/8	1 1/16	1 1/4	3 3/16	4 7/32	7/8	7.375	4 1/32	1/2	3/4	6 3/32
3 1/2	JYRP2308													
3 11/16	JYRP2311	41.0	10 7/8	9 3/8	1	2	3 5/8	4 13/16	7/8	8.125	4 19/32	25/32	3/4	6 5/8
3 15/16	JYRP2315													
4	JYRP2400													

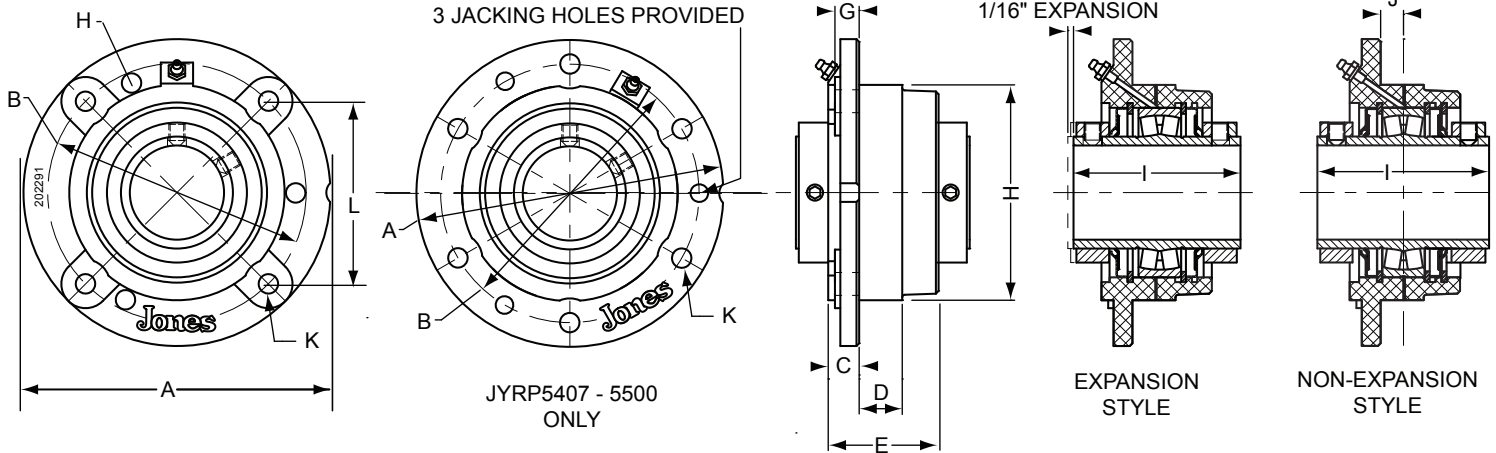
NOTE: 1) Tolerance on OD of pilot diameter "H" is +0.000"/-0.005"

Piloted Flange Bearings

JYRP-5000

Jones

- Fully self-aligning
- Fixed and expansion units



SHAFT DIA.	ASSEMBLY DESIGNATION	TOTAL WEIGHT LBS.	A	B	C	D	E	G	H	I	J	K bolt Ø	L
17/16	JYRP5107	6.30	5 1/4	4 3/8	23/32	3/4	2 1/4	1/2	3.625	3 1/2	25/64	3/8	3 3/32
1 1/2	JYRP5108												
1 11/16	JYRP5111	7.65	6 1/8	5 1/8	5/8	7/8	2 1/2	1/2	4.250	3 1/2	19/32	7/16	3 5/8
1 3/4	JYRP5112												
1 15/16	JYRP5115	8.5	6 3/8	5 3/8	5/8	7/8	2 1/2	9/16	4.500	3 3/8	19/32	7/16	3 51/64
2	JYRP5200												
2 3/16	JYRP5203	11.0	7 1/8	6	23/32	1	2 9/16	9/16	5.000	4	17/32	1/2	4 1/4
2 7/16	JYRP5207	14.0	7 5/8	6 1/2	13/16	1	2 5/8	5/8	5.500	4 1/4	7/16	1/2	4 19/32
2 1/2	JYRP5208												
2 11/16	JYRP5211	20.5	8 3/4	7 1/2	13/16	1 1/4	3 1/8	1 1/16	6.375	4 3/4	25/32	5/8	5 19/64
2 3/4	JYRP5212												
2 15/16	JYRP5215	19.5	10 1/4	8 5/8	1 1/16	1 1/4	3 3/16	7/8	7.375	5 5/16	1/2	3/4	6 3/32
3	JYRP5300												
3 7/16	JYRP5307	39.0	10 7/8	9 3/8	1	2	3 5/8	7/8	8.125	5 15/16	25/32	3/4	6 5/8
3 1/2	JYRP5308												
3 11/16	JYRP5311	41.0	13 1/8	11 3/4	1	2	4	1	10.25	6 1/8	3/4	3/4	5 7/8
3 15/16	JYRP5315												
4	JYRP5400	64	14 3/4	12 3/4	1 1/4	2 1/4	4 3/8	1 1/4	11.0	6 5/8	3/4	7/8	6 3/8
4 7/16	JYRP5407												
4 1/2	JYRP5408	72	14 3/4	12 3/4	1 1/4	2 1/4	4 3/8	1 1/4	11.0	6 5/8	3/4	7/8	6 3/8
4 15/16	JYRP5415												
5	JYRP5500												

NOTE: 1) Tolerance on OD of pilot diameter "H" is +0.000"/-0.005"

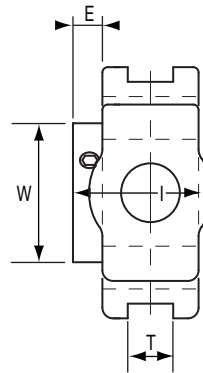
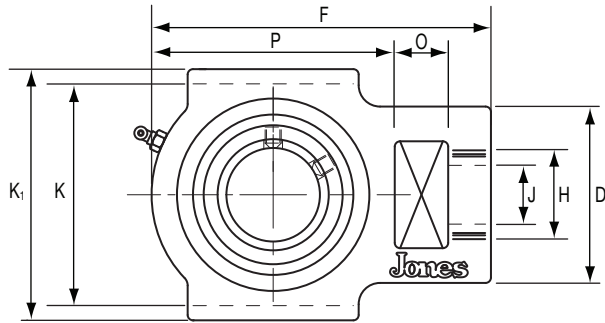


Takeup Blocks -Normal & Heavy Duty

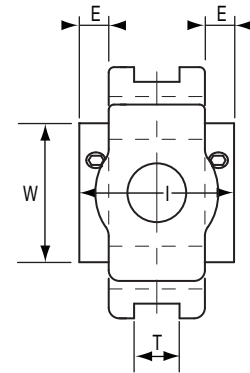
JT-2000 / JT-5000

Jones

- Takeup blocks on this page may be used with JHT, JFT, JAT, JGT or CU frame
- Fixed and expansion units



2000 Series



5000 Series

SHAFT SIZE	2000 SERIES	5000 SERIES	WORKING LOAD †	SIZE CODE	I		D	E	F	H	I	J	K +0.005 -0.015	K1	O	P	T +0.005 -0.015	W	WEIGHT 2000	WEIGHT 5000	
					2000 SERIES	5000 SERIES															
1 ⁷ / ₁₆	JT4-2107	JT4-5107	7,600	4	2 ¹³ / ₁₆	—	2 ⁷ / ₁₆	1 ¹ / ₁₆	5 ³ / ₈	1 ⁷ / ₁₆		7 ⁸ / ₁₆	3 ¹ / ₂	4 ¹ / ₈	5 ⁸ / ₁₆	4	1 ⁷ / ₃₂	2 ³ / ₈	6.4	6.6	
1 ¹ / ₂	JT4-2108	JT4-5108																	6.3	6.5	
1 ¹¹ / ₁₆	JT5-2111	—	12,300	5	2 ¹⁵ / ₁₆	—	3 ⁵ / ₁₆	5 ⁸ / ₁₆	6 ¹ / ₈	1 ¹⁵ / ₁₆		1 ¹ / ₈	4	4 ³ / ₄	3 ⁴ / ₈	4 ⁵ / ₈	1 ¹ / ₁₆	2 ⁵ / ₈	9.8	10.0	
1 ³ / ₄	JT5-2112																		9.7	10.0	
1 ¹⁵ / ₁₆	JT6-2115	JT6-5115	12,300	6	3 ¹ / ₁₆	—	3 ⁵ / ₁₆	5 ⁸ / ₁₆	6 ¹ / ₈	1 ¹⁵ / ₁₆		1 ¹ / ₈	4	4 ³ / ₄	3 ⁴ / ₈	4 ⁵ / ₈	1 ¹ / ₁₆	2 ⁷ / ₈	10.1	10.3	
2	JT6-2200	JT6-5200																	9.9	10.1	
2 ³ / ₁₆	JT7-2203	JT6-5203	13,500	7	3 ³ / ₁₆	—	3 ³ / ₄	3 ⁴ / ₈	7 ¹ / ₈	2 ¹ / ₄		1 ¹ / ₄	4 ¹ / ₂	5 ¹ / ₄	1	5 ¹ / ₄	1 ³ / ₁₆	3 ³ / ₄	13.6	13.6	
2 ⁷ / ₁₆	JT8-2207	JT8-5207	20,900	8	3 ⁷ / ₁₆	—	4 ¹ / ₈	7 ⁸ / ₁₆	7 ³ / ₃₂	2 ¹ / ₂		1 ³ / ₈	5 ¹ / ₈	5 ⁷ / ₈	1 ¹ / ₄	5 ²⁵ / ₃₂	1 ¹ / ₁₆	4	18.2	19.0	
2 ¹ / ₂	JT8-2208	JT8-5208																	17.9	18.5	
2 ¹¹ / ₁₆	JT9-2211	—	26,800	9	3 ¹¹ / ₁₆	—	4 ³ / ₄	7 ⁸ / ₁₆	8 ¹⁵ / ₁₆	2 ³ / ₄		1 ⁵ / ₈	5 ¹⁵ / ₁₆	6 ¹¹ / ₁₆	1 ¹ / ₄	6 ¹ / ₂	1 ¹³ / ₁₆	4 ¹ / ₂	28.8	29.0	
2 ³ / ₄	JT9-2212																		28.4		
2 ¹⁵ / ₁₆	JT9-2215	JT9-5215																	27.6		
3	JT9-2300	—																	27.0		
3 ⁷ / ₁₆	JT10-2307	JT10-5307	27,300	10	4 ³ / ₃₂	—	4 ⁷ / ₈	7 ⁸ / ₁₆	10 ¹ / ₄	2 ⁷ / ₈		1 ⁷ / ₈	6 ¹³ / ₁₆	7 ¹³ / ₁₆	1 ⁵ / ₈	7 ⁹ / ₁₆	1 ¹³ / ₁₆	5 ¹ / ₈	40.5	42.0	
3 ¹ / ₂	JT10-2308	—																	40.0		
3 ¹¹ / ₁₆	JT11-2311	—	45,400	11	4 ²¹ / ₃₂	—	5 ⁵ / ₈	1	12 ¹ / ₈	3 ³ / ₈		2 ¹ / ₈	8 ⁵ / ₈	9 ⁷ / ₁₆	2 ¹ / ₈	8 ¹³ / ₁₆	2 ¹ / ₁₆	6	59.0	60.0	
3 ¹⁵ / ₁₆	JT11-2315																		JT11-5315		58.0
4	JT11-2400																		—		57.0
4 ⁷ / ₁₆	—	JT12-5407																	53,700		12
4 ¹ / ₂	—	JT12-5408	90.0																		
4 ¹⁵ / ₁₆	—	JT13-5415	68,000	13	—	6 ⁵ / ₈	7	1	15 ¹ / ₈	3 ³ / ₄		2 ³ / ₈	10 ¹ / ₄	11 ¹ / ₄	2 ¹ / ₂	10 ⁷ / ₈	2 ¹ / ₁₆	6 ⁷ / ₈	—	130	
5 ⁷ / ₁₆	—	JT14-5507	140,900	14	—	8	8	1 ¹ / ₃₂	20 ⁵ / ₈	5		3 ¹ / ₈	14 ¹ / ₈	16	3 ¹ / ₂	15 ³ / ₈	2 ⁹ / ₁₆	8 ³ / ₁₆	—	417	
5 ¹⁵ / ₁₆	—	JT15-5515	140,900	15	—	8 ¹ / ₈	8	1 ¹⁵ / ₃₂	20 ⁵ / ₈	5		3 ¹ / ₈	14 ¹ / ₈	16	3 ¹ / ₂	15 ³ / ₈	2 ⁹ / ₁₆	8 ¹¹ / ₁₆	—	426	
6		JT15-5600																	—	424	
6 ⁷ / ₁₆	—	JT16-5607	165,300	16	—	8 ³ / ₄	8	1 ¹ / ₃₂	20 ⁵ / ₈	5		3 ¹ / ₈	14 ¹ / ₈	16	3 ¹ / ₂	15 ³ / ₈	2 ⁹ / ₁₆	9 ³ / ₄	—	433	
6 ¹⁵ / ₁₆		JT16-5615																	—	428	
7		JT16-5700																	—	426	

NOTES: 1) Dimensions subject to change. Certified dimensions of ordered material furnished on request.
2) 2000 series has single set collar. 5000 series has double set collar.

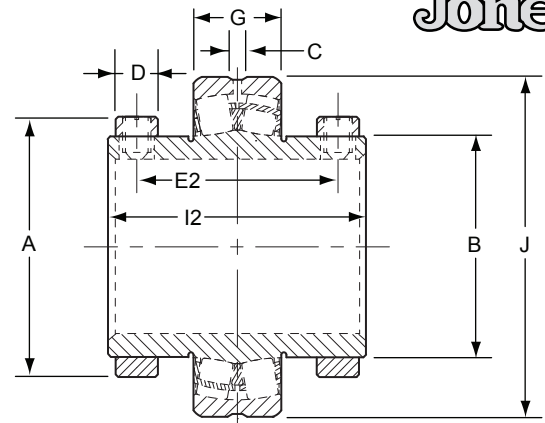
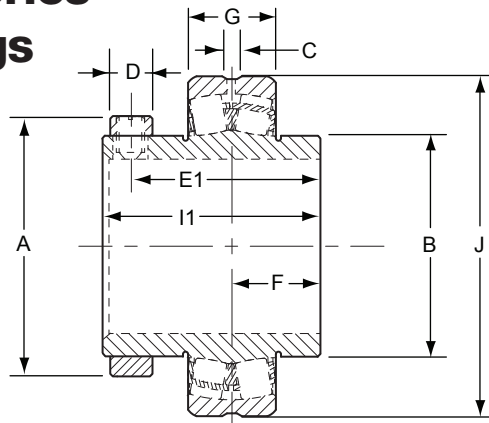
† Allowable working load is ²/₃ yield strength.



2000/5000 Series Roller Bearings

Jones

- Insert Bearings
- Collar Mounted



SHAFT DIA.	2000 SERIES	5000 SERIES	A	B	C	D	E1	E2	F	G (MM.)	I1	I2	J (MM.)	BEARING LOAD RATING (LBS.)		SET SCREW SIZE	WT. (LBS.) 2000 SERIES	WT. (LBS.) 5000 SERIES
														DYNAMIC	STATIC			
1 ³ / ₈	2106	5106	2 ³ / ₈	1.908	.219	5/8	2 ³ / ₈	2 ³ / ₄	1	23	2 ³ / ₄	—	80	16,600	18,300	3/8-24 x 1/2	2.5	2.6
1 ⁷ / ₁₆	2107	5107																
1 ¹ / ₂	2108	5108																
1 ⁵ / ₈	2110	5110	2 ⁵ / ₈	2.157	.219	5/8	2 ³ / ₈	2 ²⁹ / ₆₄	1	23	2 ⁷ / ₈	—	85	17,300	19,800	3/8-24 x 1/2	2.75	2.9
1 ¹¹ / ₁₆	2111	5111																
1 ³ / ₄	2112	5112																
1 ⁷ / ₈	2114	5114	2 ⁷ / ₈	2.357	.219	5/8	2 ¹⁵ / ₃₂	2 ⁵⁹ / ₆₄	1	23	2 ⁷ / ₈	3 ³ / ₈	90	19,000	22,500	3/8-24 x 1/2	2.9	3.1
1 ¹⁵ / ₁₆	2115	5115																
2	2200	5200																
2 ³ / ₁₆	2203	5203	3 ¹ / ₄	2.600	.219	3/4	2 ²³ / ₃₂	3 ¹¹ / ₆₄	1 ¹ / ₈	25	3 ¹ / ₈	4	100	22,400	26,500	3/8-24 x 1/2	3.9	4.4
2 ¹ / ₄	2204	5204																
2 ⁷ / ₁₆	2207	5207	4	3.088	.219	7/8	2 ¹⁵ / ₁₆	3 ²¹ / ₆₄	1 ¹ / ₄	31	3 ³ / ₈	4 ¹ / ₄	120	33,300	41,100	1/2-20 x 3/4	6.8	8.75
2 ¹ / ₂	2208	5208																
2 ¹¹ / ₁₆	2211	5211	4 ¹ / ₂	3.491	.219	7/8	3 ¹ / ₁₆	3 ³⁵ / ₆₄	1 ¹ / ₄	31	3 ⁵ / ₈	4 ³ / ₄	130	35,500	46,800	1/2-20 x 7/8	9.3	12.0
2 ³ / ₄	2212	5212																
2 ¹⁵ / ₁₆	2215	5215																
3	2300	5300																
3 ³ / ₁₆	2303	5303	5 ¹ / ₈	4.224	.219	7/8	3 ¹⁵ / ₃₂	4 ¹ / ₆₄	1 ⁷ / ₁₆	40	4 ¹ / ₃₂	5 ³ / ₁₆	160	56,900	76,400	1/2-20 x 7/8	13.0	15.0
3 ¹ / ₄	2304	5304																
3 ⁷ / ₁₆	2307	5307																
3 ¹ / ₂	2308	5308																
3 ¹¹ / ₁₆	2311	5311	6	4.650	.328	1	3 ¹⁵ / ₁₆	4 ³⁵ / ₆₄	1 ⁵ / ₈	46	4 ¹⁹ / ₃₂	5 ¹⁵ / ₁₆	180	69,900	93,300	5/8-18 x 1	19.5	23.0
3 ¹⁵ / ₁₆	2315	5315																
4	2400	5400																
4 ⁷ / ₁₆	—	5407	6 ¹ / ₈	5.029	.328	1	5 ¹ / ₈	5 ¹ / ₈	3 ¹ / ₁₆	53	—	6 ¹ / ₈	200	91,700	126,000	5/8-18 x 7/8	—	29.5
4 ¹ / ₂	—	5408																
4 ⁵ / ₁₆	—	5415	6 ⁷ / ₈	5.819	.438	1	5 ⁵ / ₈	5 ⁵ / ₈	3 ⁵ / ₁₆	64	—	6 ⁵ / ₈	230	123,000	180,000	5/8-18 x 7/8	—	56.5
5	—	5500																

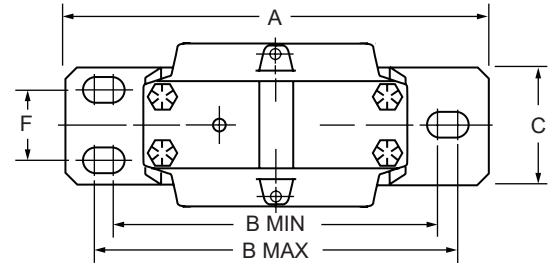
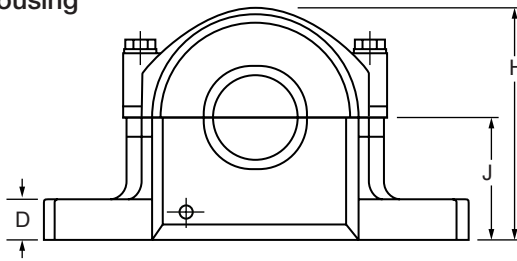


Split Pillow Block

SAF-22500

Jones

- Cast iron two-piece housing
- LER triple ring seal
- Held or free bearing



Optional shaft size: SAF 22517 x 27/8

SHAFT DIA.	(1) COMPLETE PILLOW BLOCK	BEARING	LER SEAL SPEED LIMIT GREASE R/MIN	ADAPTER ASSEMBLY	PILLOW BLOCK HOUSING	TRIPLE RING SEAL (2) REQ.	END PLUG	TACONITE SEAL	WEIGHT LBS.
1 ³ / ₁₆	SAF22507	22207CCK/W33	6700	SNW 7	SAF 507	LER 14	ERP 2	TER14	8
1 ⁷ / ₁₆	SAF22509	22209CCK/W33	5300	SNW 9	SAF 509	LER 17	ERP 3	TER17	12
1 ¹¹ / ₁₆	SAF22510	22210CCK/W33	5000	SNW 10	SAF 510	LER 20	ERP 4	TER20	13
1 ¹⁵ / ₁₆	SAF22511	22211CCK/W33	4500	SNW 11	SAF 511	LER 24	ERP 5	TER24	16
2 ³ / ₁₆	SAF22513	22213CCK/W33	3600	SNW 13	SAF 513	LER 29	ERP 6	TER29	23
2 ⁷ / ₁₆	SAF22515	22215CCK/W33	3400	SNW 15	SAF 515	LER 37	ERP7	TER37	28
2 ¹¹ / ₁₆	SAF22516	22216CCK/W33	3200	SNW 16	SAF 516	LER 44	ERP8	TER44	37
2 ¹⁵ / ₁₆	SAF22517	22217CCK/W33	3000	SNW 17	SAF 517	LER 53	ERP9	TER53	38
3 ³ / ₁₆	SAF22518	22218CCK/W33	2600	SNW 18	SAF 518	LER 188	ERP11	TER188	47
3 ⁷ / ₁₆	SAF22520	22220CCK/W33	2200	SNW 20	SAF 520	LER 102	ERP12	TER102	62
3 ¹⁵ / ₁₆	SAF22522	22222CCK/W33	2000	SNW 22	SAF 522	LER 109	ERP13	TER109	73
4 ³ / ₁₆	SAF22524	22224CCK/W33	2000	SNW 24	SAF 524	LER 113	ERP14	TER113	104
4 ⁷ / ₁₆	SAF22526	22226CCK/W33	1900	SNW 26	SAF 526	LER 117	ERP15	TER117	144
4 ¹⁵ / ₁₆	SAF22528	22228CCK/W33	1700	SNW 28	SAF 528	LER 122	ERP27	TER122	153
5 ³ / ₁₆	SAF22530	22230CCK/W33	1600	SNW 30	SAF 530	LER 125	ERP16	TER125	199
5 ⁷ / ₁₆	SAF22532	22232CCK/W33	1500	SNW 32	SAF 532	LER 130	ERP16	TER130	212
5 ¹⁵ / ₁₆	SAF22534	22234CCK/W33	1300	SNW 34	SAF 534	LER 140	ERP18	TER140	276
6 ⁷ / ₁₆	SAF22536	22236CCK/W33	1300	SNW 36	SAF 536	LER 148	ERP19	TER148	301
6 ¹⁵ / ₁₆	SAF22538	22238CCK/W33	1200	SNW 38	SAF 538	LER 155	ERP20	TER155	374
7 ³ / ₁₆	SAF22540	22240CCK/W33	1100	SNW 40	SAF 540	LER 159	ERP21	TER159	443
7 ¹⁵ / ₁₆	SAF22544	22244CCK/W33	950	SNW 44	SAF 544	LER 167	ERP23	TER167	577

Held and Free: Standard option blocks come with an enclosed stabilizing ring.
For a Free unit discard the enclosed stabilizing ring.

NOTES: 1) Sizes SAF 22507-SAF22513, two bolt base only. Sizes SAF 22515- SAF22520, two or four bolt base options.
Sizes SAF22522-SAF 22544, four Bolt base only

When ordering complete pillow block, standard size is assumed unless stated otherwise, ie. SAF22522 would mean SAF522 x 3-15/16". For other shaft sizes specify, ie. SAF22522 x 4 for 4" shaft dia.



Split Pillow Block

SAF-22500

Jones

• Optional shaft sizes

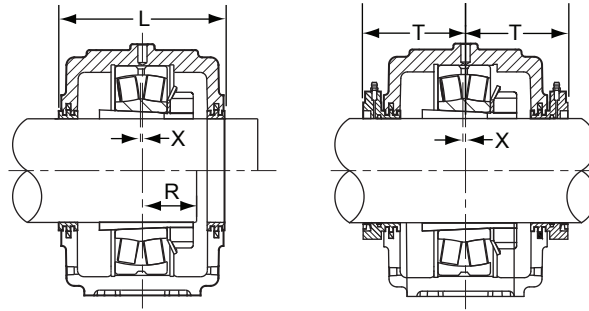
• Specify options:

Four Bolt Base: FSAF22517

One End Closed: SAF22517Y

Taconite Seals: SAF22517T

Optional shaft size: SAF 22517 x 2⁷/₈



COMPLETE PILLOW BLOCK	A	B		C	D	F	H	J	L	X	BOLTS (NO. REQ.)	R	T
		MIN	MAX										
SAF22507	7 ¹ / ₂	5 ⁵ / ₈	6 ¹ / ₈	2	1 ³ / ₁₆	—	3 ³ / ₄	2	3 ³ / ₁₆	3 ³ / ₃₂	3 ³ / ₈ (2)	1 ³ / ₁₆	1 ¹⁹ / ₃₂
SAF22509	8 ¹ / ₄	6 ¹ / ₄	7	2 ³ / ₈	1 ³ / ₁₆	—	4 ³ / ₈	2 ¹ / ₄	3 ⁵ / ₈	7 ⁷ / ₆₄	1 ¹ / ₂ (2)	1 ³ / ₃₂	3 ¹ / ₃₂
SAF22510	8 ¹ / ₄	6 ¹ / ₂	7	2 ³ / ₈	1 ⁵ / ₁₆	—	4 ³ / ₄	2 ¹ / ₂	3 ⁵ / ₈	9 ⁹ / ₆₄	1 ¹ / ₂ (2)	1 ⁵ / ₃₂	3 ¹ / ₄
SAF22511	9 ⁵ / ₈	7 ³ / ₈	7 ⁷ / ₈	2 ³ / ₄	1 ⁵ / ₁₆	—	5 ¹ / ₃₂	2 ³ / ₄	3 ⁷ / ₈	7 ⁷ / ₆₄	5 ⁵ / ₈ (2)	1 ¹³ / ₆₄	3 ³ / ₈
SAF22513	11	8 ¹ / ₈	9 ¹ / ₂	3 ¹ / ₈	1	—	5 ²¹ / ₃₂	3	4 ¹ / ₂	5 ⁵ / ₃₂	5 ⁵ / ₈ (2)	1 ²⁵ / ₆₄	3 ⁵ / ₈
SAF22515	11 ¹ / ₄	8 ⁵ / ₈	9 ⁵ / ₈	3 ¹ / ₈	1 ¹ / ₈	1 ⁷ / ₈	6 ¹ / ₈	3 ¹ / ₄	4 ¹¹ / ₁₆	7 ⁷ / ₆₄	5 ⁵ / ₈ (2) 1 ¹ / ₂ (4)	1 ⁷ / ₁₆	3 ¹³ / ₁₆
SAF22516	13	9 ⁵ / ₈	11	3 ¹ / ₂	1 ¹ / ₄	2 ¹ / ₈	6 ¹⁹ / ₃₂	3 ¹ / ₂	5 ⁵ / ₁₆	3 ³ / ₁₆	3 ³ / ₄ (2) 5 ⁵ / ₈ (4)	1 ¹⁵ / ₃₂	4 ¹ / ₈
SAF22517	13	9 ⁷ / ₈	11	3 ¹ / ₂	1 ¹ / ₄	2 ¹ / ₈	7 ¹ / ₈	3 ³ / ₄	5	3 ³ / ₁₆	3 ³ / ₄ (2) 5 ⁵ / ₈ (4)	1 ⁹ / ₁₆	3 ³ / ₃₂
SAF22518	13 ³ / ₄	10 ³ / ₈	11 ⁵ / ₈	3 ⁷ / ₈	1 ⁵ / ₈	2 ¹ / ₈	7 ⁹ / ₁₆	4	5 ⁷ / ₈	3 ³ / ₁₆	3 ³ / ₄ (2) 5 ⁵ / ₈ (4)	1 ³ / ₄	4 ¹ / ₁₆
SAF22520	15 ¹ / ₄	11 ⁵ / ₈	13 ¹ / ₈	4 ³ / ₈	1 ³ / ₄	2 ³ / ₈	8 ¹⁵ / ₃₂	4 ¹ / ₂	6 ¹ / ₈	3 ³ / ₁₆	7 ⁷ / ₈ (2) 3 ³ / ₄ (4)	1 ⁵⁹ / ₆₄	4 ³ / ₈
SAF22522	16 ¹ / ₂	12 ⁵ / ₈	14 ¹ / ₂	4 ³ / ₄	2	2 ³ / ₄	9 ¹¹ / ₃₂	4 ¹⁵ / ₁₆	6 ¹ / ₂	3 ³ / ₁₆	3 ³ / ₄ (4)	2 ¹ / ₈	4 ⁹ / ₁₆
SAF22524	16 ¹ / ₂	13 ¹ / ₄	14 ¹ / ₂	4 ³ / ₄	2 ¹ / ₈	2 ³ / ₄	10 ³ / ₁₆	5 ¹ / ₄	7 ³ / ₈	3 ³ / ₁₆	3 ³ / ₄ (4)	2 ⁹ / ₃₂	5
SAF22526	18 ³ / ₈	14 ⁵ / ₈	16	5 ¹ / ₄	2 ³ / ₈	3 ¹ / ₄	11 ⁵ / ₁₆	6	8 ¹ / ₈	3 ³ / ₁₆	7 ⁷ / ₈ (4)	2 ¹⁵ / ₃₂	5 ⁵ / ₁₆
SAF22528	20 1 ¹ / ₈	16	17 ¹ / ₈	5 ⁷ / ₈	2 ³ / ₈	3 ³ / ₈	11 ³ / ₄	6	7 ⁵ / ₈	3 ³ / ₁₆	1 (4)	2 ²⁹ / ₆₄	5 ¹ / ₈
SAF22530	21 ¹ / ₄	17	18 ¹ / ₄	6 ¹ / ₄	2 ¹ / ₂	3 ³ / ₄	12 ¹ / ₂	6 ⁵ / ₁₆	8 ³ / ₈	3 ³ / ₁₆	1 (4)	2 ²⁹ / ₆₄	5 ¹ / ₂
SAF22532	22	17 ³ / ₈	19 ¹ / ₄	6 ¹ / ₄	2 ⁵ / ₈	3 ³ / ₄	13 ⁵ / ₁₆	6 ¹¹ / ₁₆	8 ³ / ₄	3 ³ / ₁₆	1 (4)	2 ²¹ / ₃₂	5 ¹¹ / ₁₆
SAF22534	24 ³ / ₄	19 ³ / ₈	21 ⁵ / ₈	6 ³ / ₄	2 ³ / ₄	4 ¹ / ₄	14 3 ³ / ₁₆	7 ¹ / ₁₆	9 ⁵ / ₈	3 ³ / ₁₆	1 (4)	3 ¹ / ₈	6 ¹ / ₁₆
SAF22536	26 ³ / ₄	20 ⁷ / ₈	23 ⁵ / ₈	7 ¹ / ₈	3	4 ⁵ / ₈	14 ⁷ / ₈	7 ¹ / ₂	10	3 ³ / ₁₆	1 (4)	3 ⁹ / ₆₄	6 ¹ / ₄
SAF22538	28	21 ⁵ / ₈	24 ³ / ₈	7 ¹ / ₂	3 ¹ / ₈	4 ¹ / ₂	15 ¹¹ / ₁₆	7 ⁷ / ₈	10 ³ / ₄	3 ³ / ₁₆	1 1 ¹ / ₄ (4)	3 ¹⁹ / ₆₄	6 ¹¹ / ₁₆
SAF22540	29 ¹ / ₂	22 ¹ / ₂	25	8	3 ³ / ₈	5	16 ¹ / ₂	8 ¹ / ₄	11 ¹ / ₄	3 ³ / ₁₆	1 1 ¹ / ₄ (4)	3 ¹ / ₂	7 ¹ / ₁₆
SAF22544	32 ³ / ₄	24 ³ / ₄	27 ⁷ / ₈	8 ³ / ₄	3 ³ / ₄	5 ¹ / ₄	18 ⁵ / ₈	9 ¹ / ₂	12	3 ³ / ₁₆	1 1 ¹ / ₂ (4)	3 ⁵ / ₈	7 ¹ / ₄

Held and Free: Standard and standard blocks with options come with an enclosed stabilizing ring.
For a Free unit discard the enclosed stabilizing ring.

NOTES: 1) Sizes SAF 22507-SAF22513, two bolt base only.
Sizes SAF 22515- SAF22520, two or four bolt base options.
Sizes SAF22522-SAF 22544, four Bolt base only.

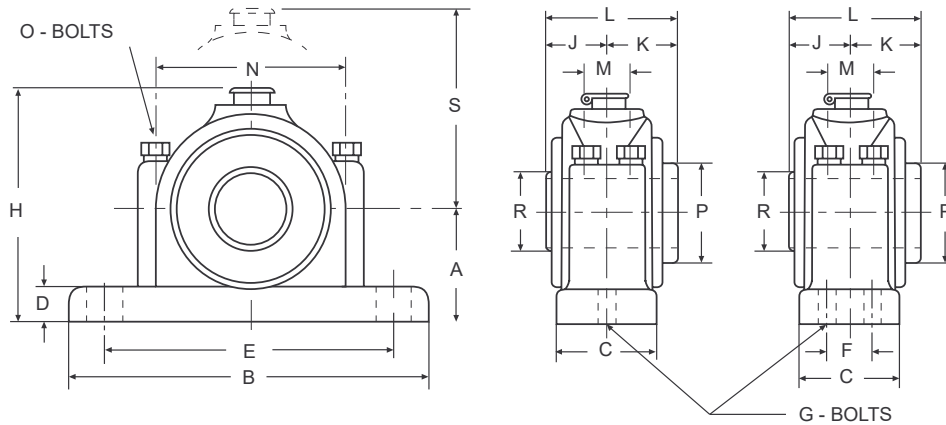


Extra Heavy Duty Pillow Blocks

PB 1000 Series

Jones

- Non-Expansion and Expansion Types



STD. SHAFT SIZE	OTHER SHAFT SIZES †	A	B	C	D	E++ SLOTTED CORED HOLES		DRILLED HOLES *	F	G		H	J	K	L	M	N	O	P	APPROX. R	S	NET WGT. LBS.
						MIN	MAX			(2) BOLTS	(4) BOLTS											
						1 ⁵ / ₁₆	1 ³ / ₁₆ -2			2 ⁷ / ₈	11 ¹ / ₂											
2 ³ / ₁₆	2 ¹ / ₁₆ -2 ¹ / ₄	3 ¹ / ₈	12 ¹ / ₂	3 ¹ / ₂	1 ¹ / ₄	9 ¹ / ₂	10 ¹ / ₂	10	—	5 ⁶ / ₈	—	7 ¹ / ₈	2 ¹ / ₁₆	2 ³ / ₈	4 ⁷ / ₁₆	1 ⁵ / ₈	6 ¹ / ₂	1 ¹ / ₂	3 ³ / ₈	2 ⁵ / ₈	6 ³ / ₄	40
2 ⁷ / ₁₆	2 ⁵ / ₁₆ -2 ¹ / ₂	4	14 ¹ / ₄	3 ⁷ / ₈	1 ¹ / ₈	10 ³ / ₄	12 ¹ / ₄	11 ³ / ₈	2 ¹ / ₄	—	5 ⁵ / ₈	8 ⁵ / ₁₆	2 ⁵ / ₁₆	2 ⁵ / ₈	4 ¹⁵ / ₁₆	1 ³ / ₄	7 ¹ / ₄	5 ⁵ / ₈	3 ⁵ / ₈	2 ⁷ / ₈	7 ³ / ₁₆	53
2 ¹⁵ / ₁₆	2 ⁵ / ₈ -2 ¹⁵ / ₁₆	4 ³ / ₄	15 ¹ / ₂	4 ³ / ₈	1 ¹ / ₂	11 ³ / ₄	13 ³ / ₄	12 ¹ / ₂	2 ³ / ₄	—	5 ⁵ / ₈	9 ⁵ / ₈	2 ⁵ / ₈	3 ¹ / ₁₆	5 ¹¹ / ₁₆	2	8 ¹ / ₈	5 ⁵ / ₈	4 ¹ / ₈	3 ⁷ / ₁₆	7 ¹⁵ / ₁₆	79
3 ⁷ / ₁₆	3-3 ¹ / ₂	5 ¹ / ₂	17	5 ¹ / ₄	1 ⁵ / ₈	13	14 ¹ / ₂	13 ³ / ₄	3 ¹ / ₄	—	3 ⁴ / ₈	1 ¹⁵ / ₁₆	2 ¹⁵ / ₁₆	3 ⁷ / ₁₆	6 ³ / ₈	2 ³ / ₈	9 ¹ / ₂	3 ⁴ / ₈	5	4	9 ¹¹ / ₁₆	124
3 ¹⁵ / ₁₆	3 ⁵ / ₈ -4	6 ³ / ₈	20	6 ¹ / ₄	1 ⁷ / ₈	5 ¹ / ₂	17 ¹ / ₄	16 ³ / ₈	3 ¹ / ₄	—	7 ⁶ / ₈	1 ¹³ / ₁₆	4 ³ / ₈	4 ³ / ₈	8 ³ / ₄	2 ⁷ / ₈	11 ¹ / ₂	3 ⁴ / ₈	6	6 ³ / ₄	11 ³ / ₁₆	220
4 ⁷ / ₁₆	4 ¹ / ₈ -4 ¹ / ₂	7 ¹ / ₄	22	6 ¹ / ₂	2 ¹ / ₈	16 ¹ / ₂	18 ¹ / ₂	17 ¹ / ₂	3 ¹ / ₂	—	1	14 ¹ / ₁₆	4 ¹ / ₁₆	4 ¹ / ₁₆	9 ⁹ / ₈	3	12 ³ / ₈	7 ⁷ / ₈	6 ³ / ₄	7	12 ¹ / ₁₆	290
4 ¹⁵ / ₁₆	4 ⁵ / ₈ -5	7 ¹ / ₂	24 ¹ / ₂	7	2 ¹ / ₄	18 ³ / ₄	20 ³ / ₄	19 ³ / ₄	3 ³ / ₄	—	1 ¹ / ₈	1 ¹³ / ₄	5	5	10	3 ¹ / ₄	14	7 ⁷ / ₈	7	7 ³ / ₄	13 ³ / ₈	365
6	5 ⁷ / ₁₆ -5 ¹⁵ / ₁₆	10	35	8 ¹ / ₄	2 ³ / ₄	27 ³ / ₄	30 ¹ / ₄	29	4 ¹ / ₂	—	1 ¹ / ₄	20 ³ / ₈	6	6	12	3 ⁷ / ₈	17 ¹ / ₂	1 ¹ / ₈	8 ⁵ / ₈	9	17 ¹ / ₄	690
7	6 ⁷ / ₁₆ -6 ¹⁵ / ₁₆	11 ¹ / ₂	39	9 ³ / ₄	3 ¹ / ₄	30 ¹ / ₂	33 ¹ / ₂	32	5 ¹ / ₂	—	1 ¹ / ₂	23 ¹ / ₁₆	6 ³ / ₄	6 ³ / ₄	13 ¹ / ₂	4 ⁵ / ₈	19 ¹ / ₂	1 ¹ / ₄	9 ³ / ₄	10 ¹ / ₂	19 ⁷ / ₁₆	1125
8	7 ⁷ / ₁₆ -7 ¹⁵ / ₁₆	13	44	11 ¹ / ₄	3 ⁵ / ₈	34 ¹ / ₄	37 ³ / ₄	36	6 ¹ / ₂	—	1 ³ / ₈	26	7 ⁹ / ₁₆	7 ⁹ / ₁₆	15 ¹ / ₈	5 ¹ / ₄	22	1 ¹ / ₂	11	11 ³ / ₄	22 ³ / ₈	1600
9	8 ⁷ / ₁₆ -8 ¹⁵ / ₁₆	15	49	13	4	38	42	40	8	—	2	30	8 ⁹ / ₁₆	8 ⁹ / ₁₆	17 ¹ / ₈	6	25	1 ³ / ₄	12 ¹ / ₄	13	26 ⁵ / ₈	2100

- NOTES:
- 1) Specify Non-Expansion or Expansion type Pillow Blocks on all orders.
 - 2) Pillow Blocks are normally supplied with slotted cored base bolt holes unless the order specifically states standard drill holes. See E++ Above
 - 3) Pillow Blocks ordered with drilled base bolt holes will be drilled for the same size bolts shown in the table above and will be located by dimension "E" & "F" as noted above. See symbol * above.
 - 4) Pillow Blocks requiring special shaft sizes not listed in other shaft size columns consult Jones for Engineering review. See † symbol above.

To order, specify Jones 1000 Series & Shaft Size: e.g. 3¹⁵/₁₆ Dia. Specify: PB1000 - 3¹⁵/₁₆



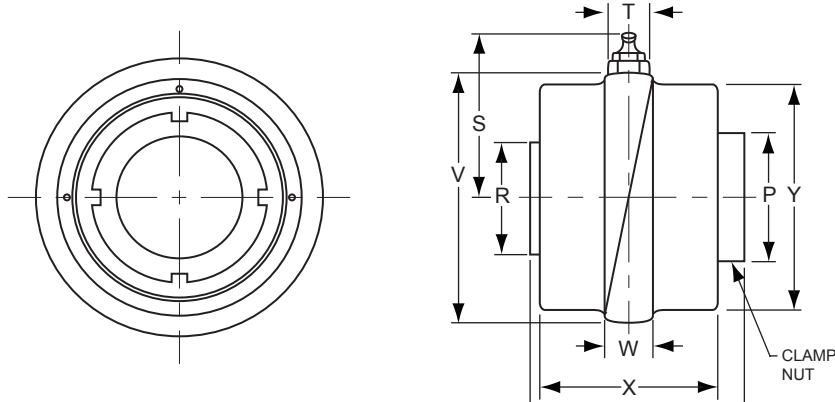
Heavy Duty Spherical Units

With double row tapered roller bearings



Manufacturers & machine builders sometimes desire to incorporate anti-friction bearing units into the design of their product, using their frame for the bearing support.

The internal unit as used in the takeup block is self-contained and can be used in this manner. The standard spherical ring on the housing allows manufacturers to design around the Jones Spherical Unit.



STD. SHAFT DIA.	OTHER SHAFT SIZES †	J	K	L	P	R	S	T	V*	W	X	Y	SPH. UNIT WT.
1 ¹⁵ / ₁₆	1 ¹³ / ₁₆ - 2	1 ¹⁵ / ₁₆	2 ³ / ₁₆	4 ¹ / ₈	3	2 ⁵ / ₁₆	3 ³ / ₁₆	7 ¹ / ₈	4 ¹¹ / ₁₆	1	3 ¹ / ₂	4 ⁷ / ₁₆	10
2 ³ / ₁₆	2 ¹³ / ₁₆ - 2 ¹ / ₄	2 ¹ / ₁₆	2 ³ / ₈	4 ⁷ / ₁₆	3 ³ / ₈	2 ⁵ / ₈	3 ³ / ₈	7 ¹ / ₈	5 ¹ / ₈	1 ¹ / ₁₆	3 ³ / ₄	4 ⁷ / ₈	13
2 ⁷ / ₁₆	2 ⁵ / ₁₆ - 2 ¹ / ₂	2 ⁵ / ₁₆	2 ⁵ / ₈	4 ¹⁵ / ₁₆	3 ⁵ / ₈	2 ⁷ / ₈	3 ⁵ / ₈	7 ¹ / ₈	5 ¹¹ / ₁₆	1 ³ / ₁₆	4 ¹ / ₄	5 ³ / ₈	18
2 ¹⁵ / ₁₆	2 ⁵ / ₈ - 2 ⁷ / ₈	2 ⁵ / ₈	3 ¹ / ₁₆	5 ¹¹ / ₁₆	4 ¹ / ₈	3 ⁷ / ₁₆	4 ¹ / ₈	7 ¹ / ₈	6 ⁹ / ₁₆	1 ³ / ₈	4 ⁷ / ₈	6 ³ / ₁₆	28
3 ⁷ / ₁₆	3 - 3 ¹ / ₂	2 ¹⁵ / ₁₆	3 ⁷ / ₁₆	6 ³ / ₈	5	4	5	1 ¹ / ₈	8	1 ³ / ₄	5 ¹ / ₂	7 ⁵ / ₈	48
3 ¹⁵ / ₁₆	3 ⁵ / ₈ - 4	4 ³ / ₈	4 ³ / ₈	8 ³ / ₄	6	6 ³ / ₄	6	1 ¹ / ₈	10	2	6 ³ / ₄	9 ⁵ / ₈	92
4 ⁷ / ₁₆	4 ¹ / ₈ - 4 ¹ / ₂	4 ¹¹ / ₁₆	4 ¹¹ / ₁₆	9 ⁸ / ₈	6 ³ / ₄	7	6 ³ / ₈	1 ¹ / ₈	10 ³ / ₄	2 ¹ / ₄	7 ¹ / ₄	10 ¹ / ₄	130
4 ¹⁵ / ₁₆	4 ⁵ / ₈ - 4 ¹⁵ / ₁₆	5	5	10	7	7 ³ / ₄	7	1 ¹ / ₈	12	2 ¹ / ₂	7 ³ / ₄	11 ³ / ₈	170
6	5 ⁷ / ₁₆ - 5 ¹⁵ / ₁₆	6	6	12	8 ⁵ / ₈	9	8 ⁵ / ₈	1 ³ / ₈	15	3 ¹ / ₂	9 ¹ / ₄	14	340
7	6 ⁷ / ₁₆ - 6 ¹⁵ / ₁₆	6 ³ / ₄	6 ³ / ₄	13 ¹ / ₂	9 ³ / ₄	10 ¹ / ₂	9 ¹ / ₂	1 ³ / ₈	16 ³ / ₄	4 ¹ / ₄	10 ³ / ₄	15 ¹ / ₂	560
8	7 ⁷ / ₁₆ - 7 ¹⁵ / ₁₆	7 ⁹ / ₁₆	7 ⁹ / ₁₆	15 ¹ / ₈	11	11 ³ / ₄	10 ⁵ / ₈	1 ³ / ₈	19	4 ³ / ₄	12	17 ³ / ₄	785
9	8 ⁷ / ₈ - 8 ¹⁵ / ₁₆	8 ⁹ / ₁₆	8 ⁹ / ₁₆	17 ¹ / ₈	12 ¹ / ₄	13	12	1 ³ / ₈	21 ³ / ₄	5 ¹ / ₂	13 ¹ / ₂	20 ¹ / ₄	1003

NOTES: 1) †Dimensions subject to change. Certified dimensions of ordered material furnished on request.

2) *Spherical unit diameters "V" are noted in fractional dimensions to simplify construction work; however, the actual dimension would be held to decimal having the following tolerances:

A) Spherical unit sizes 1-1¹⁵/₁₆" - 7" inclusive will have a "V" dimension of +.000"/-.001".

B) Spherical unit sizes 8" and 9" will have a "V" dimension of +.000"/-.002".

3) Spherical units requiring special shaft sizes not listed in the 'Other Shaft Sizes' column, consult Jones for Engineering Review.

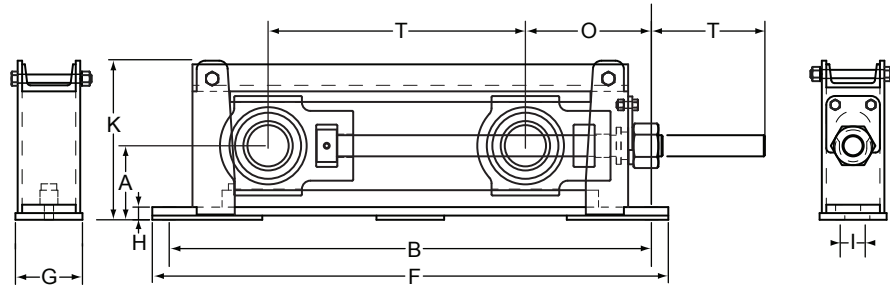


Heavy Duty Center-Pull Takeup Assembly

JHT-2000 / JHT-5000

Jones

- Self-aligning roller bearing
- Welded steel frame
- Metric sizes available



SHAFT DIA.	COMPLETE ASSY. NUMBER	COMPLETE ASSY. WT.	FRAME ASSY. ONLY	FRAME NET WT.	ALLOWABLE WORKING LOAD †	A	B	F	G	H	I	K	TRAVEL T	O	BOLTS REQ.	
															NO.	SIZE
1 ⁵ / ₁₆ 2	JHT6-2115 JHT6-2200	-12	73	JHT6-12	58	12,300	3 ¹ / ₁₆	27 ¹ / ₂	29 ¹ / ₂	4	7/8	8 ³ / ₁₆	15 ¹ / ₂	6 ³ / ₈	2	5/8
		-18	84	JHT6-18	69			33 ¹ / ₂	35 ¹ / ₂				21 ¹ / ₂			
		-24	95	JHT6-24	80			39 ¹ / ₂	41 ¹ / ₂				27 ¹ / ₂			
		-30	106	JHT6-30	91			45 ¹ / ₂	47 ¹ / ₂				33 ¹ / ₂			
		-36	117	JHT6-36	102			51 ¹ / ₂	53 ¹ / ₂				39 ¹ / ₂			
2 ³ / ₁₆	JHT7-2203	-12	85	JHT7-12	67	13,000	4 ⁷ / ₁₆	27 ¹ / ₂	29 ¹ / ₂	4	1 ³ / ₁₆	9	15	6 ³ / ₄	2	5/8
		-18	96	JHT7-18	78			33 ¹ / ₂	35 ¹ / ₂				21			
		-24	108	JHT7-24	90			39 ¹ / ₂	41 ¹ / ₂				27			
		-30	119	JHT7-30	101			45 ¹ / ₂	47 ¹ / ₂				33			
		-36	130	JHT7-36	112			51 ¹ / ₂	53 ¹ / ₂				39			
2 ⁷ / ₁₆ 2 ¹ / ₂	JHT8-2207 JHT8-2208	-12	98	JHT8-12	74	16,300	4 ³ / ₈	28 ¹ / ₂	30 ¹ / ₂	4	3/4	9 ³ / ₁₆	15	7 ¹ / ₂	2	3/4
		-18	110	JHT8-18	86			34 ¹ / ₂	36 ¹ / ₂				21			
		-24	122	JHT8-24	98			40 ¹ / ₂	42 ¹ / ₂				27			
		-30	134	JHT8-30	110			46 ¹ / ₂	48 ¹ / ₂				33			
		-36	146	JHT8-36	122			52 ¹ / ₂	54 ¹ / ₂				39			
2 ¹ / ₁₆ 2 ¹ / ₁₆ 3	JHT9-2211 JHT9-2215 JHT9-2300	-12	145	JHT9-12	115	26,800	5 ¹ / ₈	30 ¹ / ₂	32 ¹ / ₂	5	1 ¹ / ₈	2	10 ⁷ / ₈	8 ¹ / ₈	4	5/8
		-18	161	JHT9-18	131			36 ¹ / ₂	38 ¹ / ₂				22			
		-24	175	JHT9-24	145			42 ¹ / ₂	44 ¹ / ₂				28			
		-30	195	JHT9-30	165			48 ¹ / ₂	50 ¹ / ₂				34			
		-36	202	JHT9-36	182			54 ¹ / ₂	56 ¹ / ₂				40			
3 ⁷ / ₁₆ 3 ¹ / ₂	JHT10-2307 JHT10-2308	-12	161	JHT10-12	126	27,300	5 ⁵ / ₈	32	34 ¹ / ₂	5	1 ¹ / ₈	2	11 ³ / ₁₆	8 ³ / ₄	4	3/4
		-18	180	JHT10-18	145			38	40 ¹ / ₄				22			
		-24	199	JHT10-24	164			44	46 ¹ / ₄				28			
		-30	218	JHT10-30	183			50	52 ¹ / ₄				34			
		-36	237	JHT10-36	202			56	58 ¹ / ₄				40			
3 ¹ / ₁₆ 3 ⁵ / ₁₆ 4	JHT11-2311 JHT11-2315 JHT11-2400	-12	244	JHT11-12	195	38,400	7	36	38 ¹ / ₂	6	1 ³ / ₈	2 ¹ / ₂	14 ³ / ₈	10 ⁵ / ₈	4	3/4
		-18	276	JHT11-18	227			42	44 ¹ / ₂				23 ¹ / ₂			
		-24	302	JHT11-24	253			48	50 ¹ / ₂				28 ¹ / ₂			
		-30	327	JHT11-30	278			54	56 ¹ / ₂				35 ¹ / ₂			
		-36	353	JHT11-36	304			60	62 ¹ / ₂				40 ¹ / ₂			
4 ⁷ / ₁₆ 4 ¹ / ₂	JHT12-5407 JHT12-5408	-12	363	JHT12-12	279	53,300	7 ¹ / ₂	40 ³ / ₄	45 ³ / ₄	8 ⁷ / ₈	1 ³ / ₈	5	15 ¹ / ₂	12 ¹ / ₄	4	1 ¹ / ₈
		-18	391	JHT12-18	307			46 ³ / ₄	51 ³ / ₄				25			
		-24	418	JHT12-24	334			52 ³ / ₄	57 ³ / ₄				31			
		-30	447	JHT12-30	363			58 ³ / ₄	63 ³ / ₄				37			
		-36	468	JHT12-36	384			64 ³ / ₄	69 ³ / ₄				43			
-42	504	JHT12-42	420	70 ³ / ₄	75 ³ / ₄	49										
4 ¹ / ₁₆ 5	JHT13-5415 JHT13-5500	-12	440	JHT13-12	310	68,000	8 ¹ / ₈	44 ¹ / ₂	49 ¹ / ₂	9 ⁷ / ₈	1	5 ¹ / ₂	16 ³ / ₄	13 ¹ / ₂	4	1 ¹ / ₈
		-18	460	JHT13-18	330			50 ¹ / ₂	55 ¹ / ₂				26 ¹ / ₄			
		-24	496	JHT13-24	365			56 ¹ / ₂	61 ¹ / ₂				32 ¹ / ₄			
		-30	527	JHT13-30	397			62 ¹ / ₂	67 ¹ / ₂				38 ¹ / ₄			
		-36	555	JHT13-36	425			68 ¹ / ₂	73 ¹ / ₂				44 ¹ / ₄			
-42	587	JHT13-42	457	74 ¹ / ₂	79 ¹ / ₂	50 ¹ / ₄										
5 ⁷ / ₁₆	JHT14-5507	-18	1293	JHT14-18	876	136,700	10 ⁹ / ₁₆	55	61	9 ⁷ / ₈	1	5 ¹ / ₂	16 ³ / ₄	13 ¹ / ₂	4	1 ¹ / ₈
		-30	1420	JHT14-30	1003			67	73				30			
		-42	1547	JHT14-42	1130			79	85				42			
5 ¹ / ₁₆ 6	JHT15-5515 JHT15-5600	-18	1300	JHT15-18	878	136,700	10 ⁹ / ₁₆	55	61	12	1 ¹ / ₂	7	22 ¹ / ₂	23 ¹ / ₂	4	1 ³ / ₄
		-30	1427	JHT15-30	995			67	73				30			
		-42	1547	JHT15-42	1121			79	85				42			
6 ⁷ / ₁₆ 6 ¹ / ₁₆ 7	JHT16-5607 JHT16-5615 JHT16-6700	-18	1304	JHT16-18	876	136,700	10 ⁹ / ₁₆	55	61	12	1 ¹ / ₂	7	22 ¹ / ₂	23 ¹ / ₂	4	1 ³ / ₄
		-30	1431	JHT16-30	1003			67	73				30			
		-42	1558	JHT16-42	1130			79	85				42			

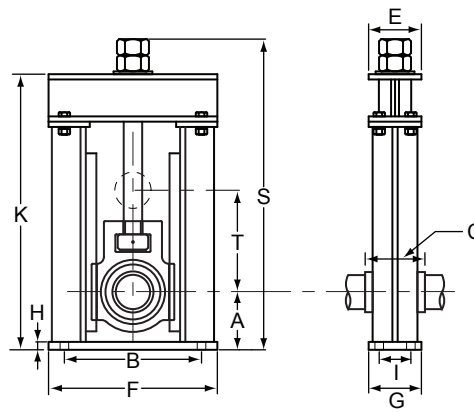
NOTES: 1) Dimensions subject to change. Certified dimensions of ordered material furnished on request.



Heavy Duty Head-End Takeups JGT-2000 / JGT-5000

Jones

- Apply downward loads only
- Welded steel frame

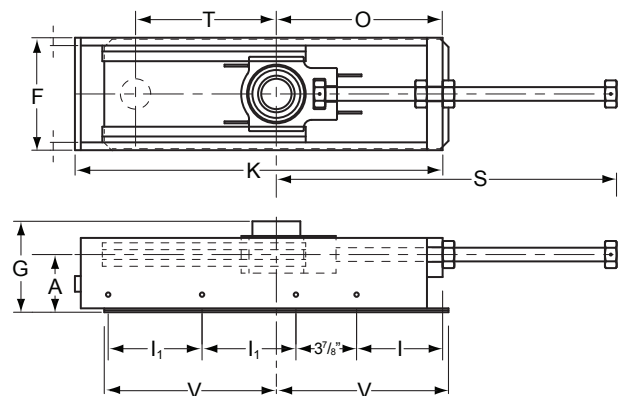


SHAFT DIA.	COMPLETE ASSY. NUMBER	FRAME ASSY. ONLY	ALLOWABLE WORKING LOAD †	A	B	C	E	F	G	H	I	K	TRAVEL T	S	BOLT SIZE	TAKEUP WT.
1 15/16	JGT6-2115-6	JGT6-6	12,300	3 5/16	10	3 13/16	4	12	4	1/2	1 3/4	16 3/4	6	15 9/16	1/2	47
2	JGT6-2200-6															
2 7/16	JGT8-2207-7	JGT8-7	20,900	4 1/8	11	4 3/8	4 15/16	13 1/2	4	3/4	2	19 7/16	7	18 3/4	5/8	74
2 1/2	JGT8-2208-7															
2 11/16	JGT9-2211-7	JGT9-7	26,800	4 5/8	12	4 7/8	5 1/4	14 1/2	5	3/4	2 1/2	20 7/8	7	17 7/8	5/8	101
2 3/4	JGT9-2212-7															100
2 9/16	JGT9-2215-7															
3	JGT9-2300-7															
3 7/16	JGT10-2307-10	JGT10-10	27,300	5 1/8	13	5 5/16	6	16	5	3/4	3	25 1/16	10	23 3/16	3/4	140
3 1/2	JGT10-2308-10															
3 11/16	JGT11-2311-10	JGT11-10	45,400	5 13/16	14	6 1/4	8 1/4	17	5	3/4	3	27 3/4	10	26 7/16	3/4	214
3 9/16	JGT11-2315-10															211
4	JGT11-2400-10															210
4 7/16	JGT12-5407-10	JGT12-10	53,700	6 13/16	17	6 1/4	9 1/4	20	6	3/4	3 1/2	32 1/4	10 1/2	29 1/2	7/8	260
4 1/2	JGT12-5408-10															
4 15/16	JGT13-5415-10	JGT13-10	68,000	7 3/16	18	7 7/8	9 7/16	21	6	3/4	3 1/2	34 5/8	10 1/2	31 3/4	7/8	329
5	JGT13-5500-10															326

- NOTES: 1) Dimensions subject to change. Certified dimensions of ordered material furnished on request.
 2) For takeup blocks, see page 5.
 † Allowable working load is 2/3 yield strength.

Heavy Duty Boot-End Takeups JFT-2000

- Sliding sealing plate with felt backing
- Welded steel frame



SHAFT DIA.	COMPLETE ASSY. NUMBER	FRAME ASSY. ONLY	A	F	G	I	I1	K	TRAVEL T	O	S	V	BOLT SIZE	TAKEUP WT.
1 15/16	JFT6-2115-9	JFT6-9	3 11/16	7 3/16	5 13/16	5 1/2	6	23 1/2	9	10 5/8	21 3/4	11	1/2	74
2 7/16	JFT8-2207-12	JFT8-12	3 15/16	8 5/16	6 1/8	7 5/16	7 1/2	28 5/8	12	12 7/16	27	14	1/2	96
2 15/16	JFT9-2215-12	JFT9-12	4 3/8	8 5/8	6 3/4	8 3/4	7 1/2	30 3/8	12	13 7/8	28 5/8	14	1/2	125

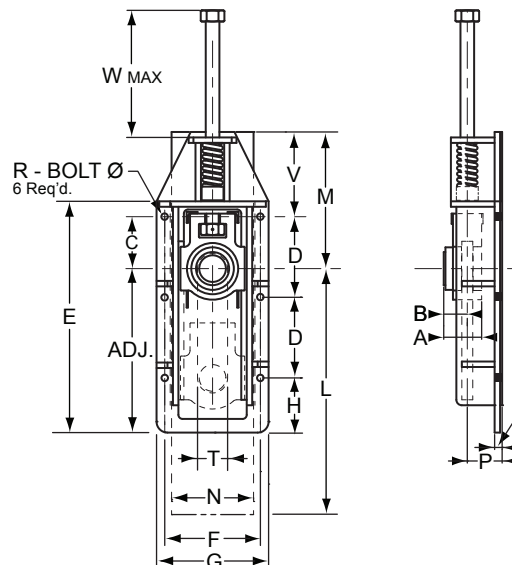
- NOTES: 1) Dimensions subject to change. Certified dimensions of ordered material furnished on request.



Compensating Foot Takeups Type CU

Jones

- Self-aligning HD roller bearing
- Sleeve bearing available
- Spring loaded
- Welded steel frame

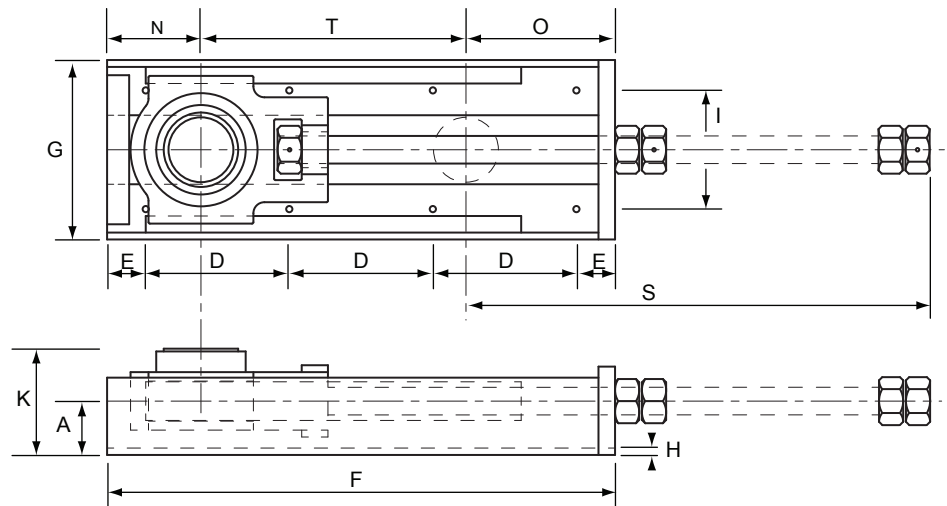


SHAFT DIA.	ASSEMBLY NUMBER	ADJ.	A	B	C	D	E	F	G	H	L	M	N	P	Q	R	T	V	W	WT. (Lb.)
1 ⁷ / ₁₆	CU107	6 ¹ / ₈	2 ⁷ / ₈	1 ⁷ / ₈	2 ⁷ / ₈	4 ¹ / ₂	11 ⁵ / ₁₆	6 ¹ / ₂	7 ³ / ₄	1 ³ / ₄	13 ³ / ₄	7 ⁵ / ₈	5 ³ / ₈	2 ⁵ / ₈	7 ¹ / ₁₆	3 ³ / ₈	1 ³ / ₄	4 ⁷ / ₈	6 ⁷ / ₈	28
1 ¹⁵ / ₁₆	CU115	8	3 ¹ / ₈	1 ²⁹ / ₃₂	3 ¹ / ₂	5 ³ / ₄	14 ³ / ₈	7 ¹ / ₄	8 ⁷ / ₈	2 ¹ / ₄	18 ¹ / ₄	10 ¹ / ₄	6 ¹ / ₄	2 ¹³ / ₁₆	7 ¹ / ₁₆	1 ¹ / ₂	2 ¹ / ₄	6 ¹ / ₄	9 ¹ / ₈	45
2 ⁷ / ₁₆	CU207	10	3 ¹ / ₂	2 ⁹ / ₁₆	4 ³ / ₄	7 ³ / ₈	18 ³ / ₈	8 ³ / ₄	10 ¹ / ₄	2 ¹ / ₂	22 ¹ / ₂	12 ¹ / ₂	7 ⁵ / ₈	3 ³ / ₁₆	5 ⁵ / ₈	1 ¹ / ₂	2 ³ / ₄	7 ¹ / ₄	11 ⁵ / ₈	67
2 ¹⁵ / ₁₆	CU215	12	4	2 ⁷ / ₁₆	5 ⁵ / ₈	9	22 ³ / ₄	10 ¹ / ₈	11 ⁷ / ₈	3 ¹ / ₈	27 ¹ / ₂	15 ¹ / ₂	8 ¹ / ₂	3 ⁵ / ₈	5 ⁵ / ₈	5 ⁵ / ₈	3 ¹ / ₄	9 ⁷ / ₈	13 ¹ / ₄	111

- NOTES: 1) All bearings fitted with 1/8" Alemite button head fittings.
2) For takeup blocks, see page 5.

Normal Duty Takeup Assembly JAT-2000

- Self-aligning roller bearing
- Welded steel frame
- Economical design



SHAFT DIA.	COMPLETE ASSY. NUMBER	FRAME ASSY. ONLY	A	D	E	F	G	H	I	K	TRAVEL T	N	O	S	BOLTS REQ.		TAKEUP WT.
															NO.	SIZE	
1 ⁷ / ₁₆	JAT4-2107-9	JAT4-9	1 ⁷ / ₈	6 ⁷ / ₁₆	1 ¹ / ₂	15 ⁷ / ₈	5 ³ / ₁₆	3 ¹ / ₁₆	3 ⁹ / ₁₆	3 ⁵ / ₈	9	3	3 ⁷ / ₈	15	6	1/2	18.4
1 ¹¹ / ₁₆	JAT5-2111-9	JAT6-9	2	7	1 ¹ / ₂	17	5 ¹³ / ₁₆	1/4	4 ¹ / ₁₆	3 ⁷ / ₈	9	3 ¹ / ₄	4 ³ / ₄	16	6	1/2	26.8
1 ¹⁵ / ₁₆	JAT6-2115-9		2	7	1 ¹ / ₂	17	5 ¹³ / ₁₆	1/4	4 ¹ / ₁₆	3 ⁷ / ₈	9	3 ¹ / ₄	4 ³ / ₄	16	6	1/2	27.1
2 ³ / ₁₆	JAT7-2203-9	JAT7-9	2	7 ¹ / ₂	1 ¹ / ₂	18	6 ⁹ / ₁₆	1/4	4 ¹³ / ₁₆	4	9	3 ⁹ / ₁₆	5 ⁷ / ₁₆	16 ¹⁵ / ₁₆	6	1/2	33.7
2 ⁷ / ₁₆	JAT8-2207-12	JAT8-12	2 ¹ / ₄	6 ¹ / ₁₆	1 ³ / ₄	21 ¹¹ / ₁₆	7 ⁵ / ₁₆	1 ⁵ / ₁₆	5 ¹ / ₁₆	4 ⁷ / ₁₆	12	3 ¹³ / ₁₆	5 ⁷ / ₈	20 ³ / ₄	8	1/2	51.0
2 ¹⁵ / ₁₆	JAT9-2115-12	JAT9-12	2 ⁷ / ₁₆	6 ¹ / ₂	1 ³ / ₄	23	8 ¹ / ₈	5 ¹ / ₁₆	5 ³¹ / ₃₂	4 ⁷ / ₈	12	4 ¹ / ₄	6 ³ / ₄	21 ³ / ₄	8	1/2	75.0

- NOTES: 1) Dimensions subject to change. Certified dimensions of ordered material furnished on request.

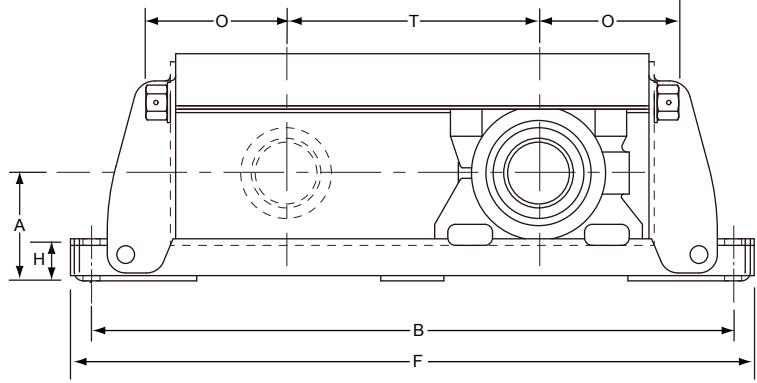
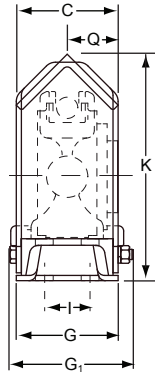


Protected Screw Takeup Assembly

JNT-2000

Jones

- 2000 Series roller bearing
- Normal duty rating
- Welded steel frame



SHAFT SIZE	COMPLETE ASSY. NUMBER	COMPLETE ASSY. WT.	FRAME ASSY. NUMBER	FRAME ASSY. WT.	ALLOWABLE WORKING LOAD †	A	B	C	F	G	G ₁	H	I	K	TRAVEL T	O	Q	REQ. BOLTS			
																		NO.	SIZE		
1 ¹⁵ / ₁₆ 2	JNT6-2115 JNT6-2200	12	44	JN6	12	3,000	3 ¹⁵ / ₁₆	26 ¹ / ₂	2 ⁷ / ₈	28 ¹ / ₂	3 ¹ / ₂	4 ¹ / ₈	1 ³ / ₄	—	8 ¹ / ₄	12	7 ¹ / ₄	1 ⁷ / ₈	2	5/8	
		18	49		18			34		32 ¹ / ₂						34 ¹ / ₂					18
		24	55		24			40		40 ¹ / ₂						46 ¹ / ₂					24
		30	60		30			45		44 ¹ / ₂						52 ¹ / ₂					30
		36	65		36			50		50 ¹ / ₂											36
2 ³ / ₁₆	JNT7-2203	12	52	JN7	12	3,600	4 ³ / ₁₆	27 ¹ / ₂	3 ¹ / ₈	29 ¹ / ₂	3 ¹ / ₂	4 ¹ / ₈	1 ³ / ₄	—	8 ¹¹ / ₁₆	12	7 ³ / ₄	2	2	5/8	
		18	58		18			41		33 ¹ / ₂						35 ¹ / ₂					18
		24	64		24			47		39 ¹ / ₂						41 ¹ / ₂					24
		30	71		30			54		45 ¹ / ₂						47 ¹ / ₂					30
		36	76		36			59		51 ¹ / ₂						53 ¹ / ₂					36
2 ⁷ / ₁₆ 2 ¹ / ₂	JNT8-2207 JNT8-2208	12	84	JN8	12	4,400	4 ³ / ₈	28 ¹ / ₂	3 ³ / ₈	30 ¹ / ₂	3 ¹ / ₂	4 ¹ / ₈	1 ³ / ₄	—	9 ¹ / ₄	12	8 ¹ / ₄	2 ¹ / ₈	2	3/4	
		18	89		18			67		34 ¹ / ₂						36 ¹ / ₂					18
		24	94		24			72		40 ¹ / ₂						42 ¹ / ₂					24
		30	99		30			78		46 ¹ / ₂						48 ¹ / ₂					30
		36	104		36			82		52 ¹ / ₂						54 ¹ / ₂					36
2 ¹ / ₁₆ 2 ¹⁵ / ₁₆ 3	JNT9-2211 JNT9-2215 JNT9-2300	12	99	JN9	12	6,800	5 ¹ / ₈	30 ¹ / ₂	3 ⁵ / ₈	32 ¹ / ₂	4 ¹ / ₂	5 ¹ / ₈	2	2	10 ¹³ / ₁₆	12	9 ¹ / ₄	2 ³ / ₈	4	3/4	
		18	107		18			77		36 ¹ / ₂						38 ¹ / ₂					18
		24	115		24			85		42 ¹ / ₂						44 ¹ / ₂					24
		30	123		30			93		48 ¹ / ₂						50 ¹ / ₂					30
		36	131		36			101		54 ¹ / ₂						56 ¹ / ₂					36
3 ⁷ / ₁₆ 3 ¹ / ₂	JNT10-2307 JNT10-2308	12	114	JN10	12	8,400	5 ⁵ / ₈	32	4 ¹ / ₃₂	34 ¹ / ₄	4 ¹ / ₂	5 ⁵ / ₈	2	2	12 ⁷ / ₁₆	12	10	21 ⁹ / ₃₂	4	3/4	
		18	122		18			78		38						40 ¹ / ₄					18
		24	130		24			86		44						46 ¹ / ₄					24
		30	138		30			94		50						52 ¹ / ₄					30
		36	146		36			102		56						58 ¹ / ₄					36
3 ¹ / ₁₆ 3 ¹⁵ / ₁₆ 4	JNT11-2311 JNT11-2315 JNT11-2400	12	227	JN11	12	15,600	7	36	4 ¹⁹ / ₃₂	38 ¹ / ₂	5 ¹ / ₂	6 ⁷ / ₈	2 ¹ / ₄	2 ¹ / ₂	14 ⁵ / ₈	12	12	23 ¹ / ₃₂	4	3/4	
		18	238		18			141		42						44 ¹ / ₂					18
		24	250		24			153		48						50 ¹ / ₂					24
		30	261		30			164		54						56 ¹ / ₂					30
		36	273		36			176		60						62 ¹ / ₂					36

NOTES: 1) Dimensions subject to change. Certified dimensions of ordered material furnished on request.

† Allowable working load is ²/₃ yield strength.

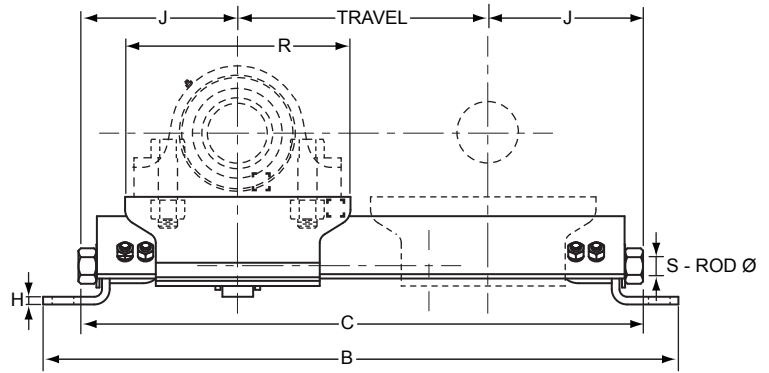
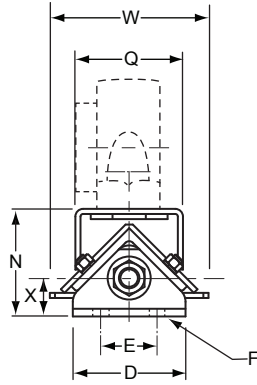


Pillow Block Takeup Frames



Type TFT

- All-steel frame
- Suitable for severe service
- Fully protected Acme thread adjusting screw
- Mounting for customer-preferred pillow blocks



FRAME SIZE	TRAVEL	B	C	D	E	BOLT DIA. F	H	I (5)		J	N	SADDLE DIM.		SCREW DIA. S	X	W	TAKE UP WT.
								MAX.	MIN.			Q	R				
200	12	31	29	5	2 1/2	5/8	3/8	9 1/8	4 11/16	8 1/2	5 1/4	4	11	1	1 7/8	6 7/8	69
200	18	37	35														75
200	24	43	41														80
200	30	49	47														88
200	36	55	53														93
200	48	67	65														106
250	12	35 1/4	32 3/4	6	3	5/8	3/8	10 7/8	5 15/16	10 3/8	6 1/4	5	13 1/4	1	1 1/2	8 1/4	84
250	18	41 1/4	38 3/4														91
250	24	47 1/4	44 3/4														99
250	30	53 1/4	50 3/4														107
250	36	59 1/4	56 3/4														114
250	48	71 1/4	68 3/4														129
300	12	38 1/4	35 1/2	5 3/4	3	3/4	1/2	11 5/8	6 7/16	11 3/4	7	5 1/4	14 1/4	1 1/4	2 1/4	8 1/2	140
300	18	44 1/4	41 1/2														150
300	24	50 1/4	47 1/2														160
300	30	56 1/4	53 1/2														170
300	36	62 1/4	59 1/2														180
300	48	74 1/4	71 1/2														200
350	12	40	37 1/4	5 3/4	3	3/4	1/2	13 7/8	7 1/2	12 5/8	7	6	16	1 1/4	2 1/4	8 1/2	148
350	18	46	43 1/4														158
350	24	52	49 1/4														168
350	30	58	55 1/4														180
350	36	64	61 1/4														190
350	48	76	73 1/4														210
400	12	44	41 1/4	5 3/4	3	3/4	1/2	**	**	14 5/8	7	7 1/4	20	1 1/4	2 1/4	8 1/2	179
400	18	50	47 1/4														189
400	24	56	53 1/4														199
400	30	62	59 1/4														209
400	36	68	65 1/4														219
400	48	80	77 1/4														239
500	12	49 1/2	47	7	4	7/8	1/2	**	**	17 1/2	7 3/4	8 1/2	23 1/2	1 1/2	2 7/16	10 1/2	253
500	18	55 1/2	53														266
500	24	61 1/2	59														278
500	30	67 1/2	65														291
500	36	73 1/2	71														304
500	48	85 1/2	83														330

- NOTES:
- 1) Dimensions subject to change. Certified dimensions of ordered material furnished on request.
 - 2) 200 through 350 frames will accommodate pillow blocks on saddles which are slotted for two-bolt blocks.
 - 3) When using four-bolt blocks or on frames 400 and larger, please specify:
 - Bore size of pillow block
 - Whether block is two- or four- bolt style
 - Type of block (customer's preference)
 - Frame travel
 - 4) Sizes not listed will be priced on applications.
 - 5) Slots for bearing bolts will be supplied at maximum range for specified bearing.

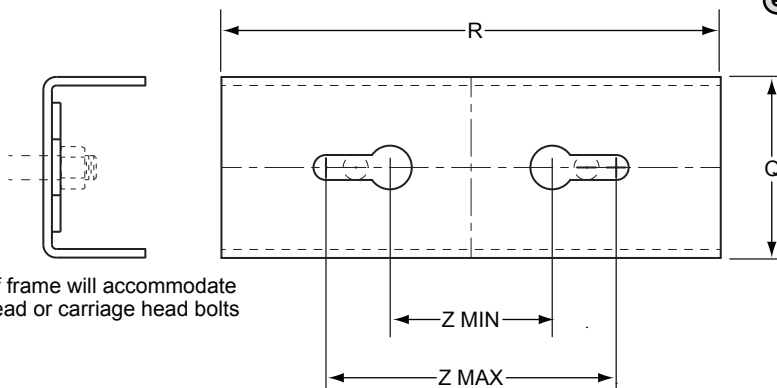


Pillow Block Takeup Frames

Type TFT

- Using TFT Frames with bearings other than those listed on previous page.
- Frame sizes 200 - 350 supplied with slotted mounting unless special ordered.

Top of frame will accommodate hex head or carriage head bolts



FRAME SIZE	BEARING MOUNT		HOLD DOWN BOLTS		(Z) BOLT CENTERS	
	Q	R	DIAMETER	GRIP	MIN	MAX
TFT200	4	11	5/8	3/8	5 ¹⁵ / ₁₆	9 ⁷ / ₁₆
TFT250	5	13	3/4	3/8	7 ⁵ / ₈	10 ⁷ / ₈
TFT300	5 ¹ / ₄	14	3/4	3/8	9 ¹ / ₄	11 ⁵ / ₈
TFT350	6	17	7/8	3/8	10 ³ / ₄	13 ¹ / ₁₆

NOTE: Sizes 400 and larger are drilled to order.

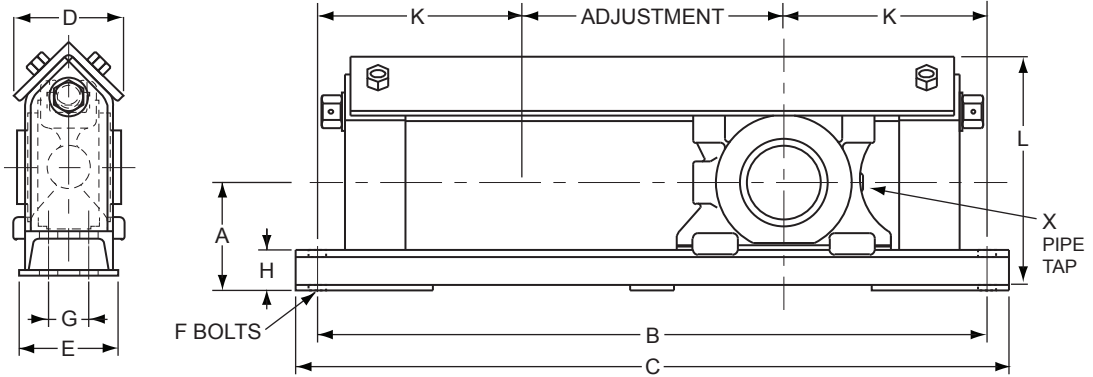
FRAME SIZE FOR SPECIFIC PILLOW BLOCKS

PILLOW BLOCK BORE (IN.)	JA	JE		PB1000		SAF	
	2 BOLT	2 BOLT	4 BOLT *	2 BOLT	4 BOLT *	2 BOLT	4 BOLT *
1 ⁷ / ₁₆	—	TFT200	—	—	—	—	—
1 ¹ / ₂	—	TFT200	—	—	—	—	—
1 ¹¹ / ₁₆	—	TFT200	—	TFT300	—	—	—
1 ³ / ₄	—	TFT200	—	TFT300	—	—	—
1 ¹⁵ / ₁₆	TFT200	TFT200	—	TFT300	—	TFT200	—
2	TFT200	TFT200	—	TFT300	—	TFT200	—
2 ³ / ₁₆	TFT200	TFT200	—	TFT300	—	TFT200	—
2 ⁷ / ₁₆	TFT200	TFT200	TFT200	TFT300	TFT300	TFT250	TFT250
2 ¹ / ₂	TFT200	TFT200	TFT200	TFT300	TFT300	TFT250	TFT250
2 ¹¹ / ₁₆	TFT250	TFT250	TFT250	—	TFT350	TFT250	TFT250
2 ³ / ₄	TFT250	TFT250	TFT250	—	TFT350	TFT250	TFT250
2 ¹⁵ / ₁₆	TFT250	TFT250	TFT250	—	TFT350	TFT250	TFT250
3	TFT250	TFT250	TFT250	—	TFT350	TFT250	TFT250
3 ⁷ / ₁₆	TFT350	TFT350	TFT350	—	TFT400	TFT350	TFT350
3 ¹ / ₂	TFT350	TFT350	TFT350	—	TFT400	TFT350	TFT350
3 ¹¹ / ₁₆	TFT400	TFT400	TFT400	—	TFT500	—	TFT400
3 ¹⁵ / ₁₆	TFT400	TFT400	TFT400	—	TFT500	—	TFT400
4	TFT400	TFT400	TFT400	—	TFT500	—	TFT400
4 ⁷ / ₁₆	—	—	TFT400	—	**	—	TFT400
4 ¹ / ₂	—	—	TFT400	—	**	—	TFT400
4 ¹⁵ / ₁₆	—	—	TFT400	—	**	—	TFT500
	—	—	—	—	**	—	TFT500

Rigid Sleeve Bearing Takeups

JSB-2800

- Hinged or removable top frame
- Protected screw
- Babbitt bearing
- Bronze bearing available
- Relubricatable



SHAFT DIA.	ADJ.*	TAKEUP NO.	A	B	C	D	E	BOLTS F	G	H	K	L	X
1 ¹⁵ / ₁₆	12	JSB-2831-12	3 ¹ / ₄	26 ¹ / ₂	29 ¹ / ₂	4	3	5 ⁸ / ₈	—	1 ³ / ₄	7 ³ / ₄	7 ¹ / ₄	1 ¹ / ₄
1 ¹⁵ / ₁₆	18	JSB-2831-18		32 ¹ / ₂	35 ¹ / ₂								
2 ³ / ₁₆	12	JSB-2835-12	3 ³ / ₈	27 ¹ / ₂	29 ¹ / ₂	4	3	5 ⁸ / ₈	—	1 ³ / ₄	7 ³ / ₄	7 ¹ / ₄	3 ⁸ / ₈
2 ³ / ₁₆	18	JSB-2835-18		33 ¹ / ₂	35 ¹ / ₂								
2 ⁷ / ₁₆	12	JSB-2839-12	3 ¹ / ₂	28 ¹ / ₂	30 ¹ / ₂	5	3	3 ⁴ / ₄	—	1 ³ / ₄	8 ¹ / ₄	7 ¹ / ₂	3 ⁸ / ₈
2 ⁷ / ₁₆	18	JSB-2839-18		34 ¹ / ₂	36 ¹ / ₂								
2 ⁷ / ₁₆	24	JSB-2839-24		40 ¹ / ₂	42 ¹ / ₂								
2 ¹⁵ / ₁₆	12	JSB-2847-12	4 ¹ / ₈	30 ¹ / ₂	32 ¹ / ₂	6	4	5 ⁸ / ₈	2	2	9 ¹ / ₄	8 ³ / ₄	3 ⁸ / ₈
2 ¹⁵ / ₁₆	18	JSB-2847-18		36 ¹ / ₂	38 ¹ / ₂								
2 ¹⁵ / ₁₆	24	JSB-2847-24		42 ¹ / ₂	44 ¹ / ₂								
3 ⁷ / ₁₆	12	JSB-2855-12	4 ¹ / ₂	32	34 ¹ / ₄	7	4	3 ⁴ / ₄	2	2	10	9 ¹¹ / ₁₆	1 ¹ / ₂
3 ⁷ / ₁₆	18	JSB-2855-18		38	40 ¹ / ₄								
3 ⁷ / ₁₆	24	JSB-2855-24		44	46 ¹ / ₄								
3 ¹⁵ / ₁₆	12	JSB-2863-12	5	36	38 ¹ / ₂	8	5	3 ⁴ / ₄	2 ¹ / ₂	2 ¹ / ₄	12	10 ¹⁵ / ₁₆	1 ¹ / ₂
3 ¹⁵ / ₁₆	18	JSB-2863-18		42	44 ¹ / ₂								
3 ¹⁵ / ₁₆	24	JSB-2863-24		48	50 ¹ / ₂								

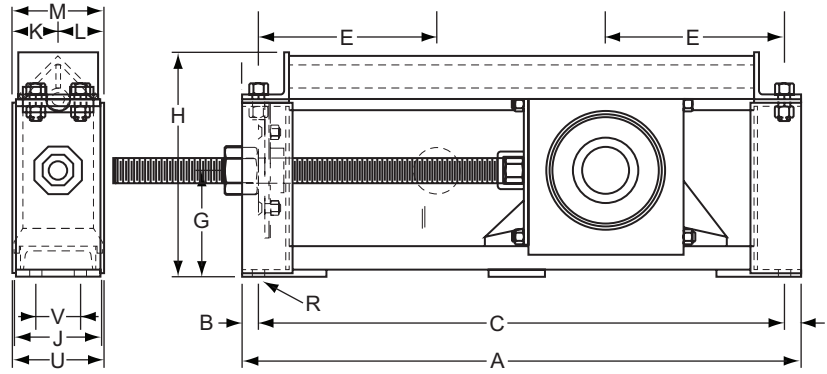
- NOTES:
- 1) Dimensions subject to change. Certified dimensions of ordered material furnished on request.
 - 2) One pipe-tapped hole for lubrication. Grease cup or lubrication fitting not included.
 - 3) * Takeups with adjustment of 18" or more have center supported pad welded to bottom of frame.
 - 4) Allowable working load is 2/3 yield strength.

Extra Heavy Duty Protected Screw Takeups

Jones

JPS-3800

- Welded steel frame
- Split bearing housing
- Protected screw
- Self-aligning tapered roller bearings
- Tapered adapter mounted



STANDARD SHAFT SIZE	ASSEMBLY	TRAVEL	A	B	C	E	G	H	J	K	L	M	BOLT R	U	V	NET WT.
1 ¹⁵ / ₁₆	JPS-3831-12	12	32	1 ¹ / ₈	29 ³ / ₄	8 ⁷ / ₈	5 ⁵ / ₈	11 ³ / ₄	4 ¹ / ₂	2 ³ / ₁₆	1 ¹⁵ / ₁₆	4 ¹ / ₈	5 ⁵ / ₈	5	2 ¹ / ₄	90
	JPS-3831-18	18	38		35 ³ / ₄											95
	JPS-3831-24	24	44		41 ³ / ₄											105
2 ³ / ₁₆	JPS-3835-12	12	33 ¹ / ₂	1 ¹ / ₈	31 ¹ / ₄	9 ⁵ / ₈	5 ¹⁵ / ₁₆	12 ³ / ₈	4 ¹ / ₂	2 ³ / ₈	2 ¹ / ₁₆	4 ⁷ / ₁₆	5 ⁵ / ₈	5	2 ¹ / ₄	105
	JPS-3835-18	18	39 ¹ / ₂		37 ¹ / ₄											115
	JPS-3835-24	24	45 ¹ / ₂		43 ¹ / ₄											125
2 ⁷ / ₁₆	JPS-3839-12	12	36	1 ¹ / ₄	33 ¹ / ₂	10 ³ / ₄	6 ⁹ / ₁₆	13 ³ / ₄	5 ⁵ / ₈	2 ⁵ / ₈	2 ⁵ / ₁₆	4 ¹⁵ / ₁₆	3 ³ / ₄	6	3	155
	JPS-3839-18	18	42		39 ¹ / ₂											165
	JPS-3839-24	24	48		45 ¹ / ₂											175
	JPS-3839-30	30	54		51 ¹ / ₂											185
2 ¹⁵ / ₁₆	JPS-3847-12	12	39	1 ¹ / ₄	36 ¹ / ₂	12 ¹ / ₄	7 ¹ / ₈	14 ⁷ / ₈	5 ⁵ / ₈	3 ¹ / ₁₆	2 ⁵ / ₈	5 ¹¹ / ₁₆	3 ³ / ₄	6	3	205
	JPS-3847-18	18	45		42 ¹ / ₂											220
	JPS-3847-24	24	50 ⁷ / ₈		48 ³ / ₈	123 ¹ / ₁₆										235
	JPS-3847-30	30	56 ⁷ / ₈		54 ³ / ₈											245
3 ⁷ / ₁₆	JPS-3855-12	12	43	1 ³ / ₈	40 ¹ / ₄	14 ¹ / ₈	8 ¹ / ₂	17 ⁵ / ₈	6 ³ / ₄	3 ⁷ / ₁₆	2 ¹⁵ / ₁₆	6 ³ / ₈	7 ⁷ / ₈	7 ¹ / ₈	3 ¹ / ₂	315
	JPS-3855-18	18	48 ⁷ / ₈		46 ¹ / ₈	330										
	JPS-3855-24	24	54 ⁷ / ₈		52 ¹ / ₈	14 ¹ / ₁₆										345
	JPS-3855-30	30	60 ⁷ / ₈		58 ¹ / ₈	360										
3 ¹⁵ / ₁₆	JPS-3863-12	12	47 ⁷ / ₈	1 ¹ / ₂	44 ⁵ / ₈	16 ⁵ / ₁₆	9 ³ / ₄	20 ¹ / ₂	8	4 ³ / ₈	4 ³ / ₈	8 ³ / ₄	1	8 ¹ / ₈	4	490
	JPS-3863-18	18	53 ⁵ / ₈		50 ⁵ / ₈	510										
	JPS-3863-24	24	59 ¹ / ₂		56 ¹ / ₂	16 ¹ / ₄										535
	JPS-3863-30	30	65 ¹ / ₂		62 ¹ / ₄	555										
4 ⁷ / ₁₆	JPS-3871-18	18	56 ¹ / ₈	1 ⁵ / ₈	52 ⁷ / ₈	17 ⁷ / ₁₆	110 ⁹ / ₁₆	21 ³ / ₄	8	4 ¹¹ / ₁₆	4 ¹¹ / ₁₆	9 ³ / ₈	1 ¹ / ₈	8 ¹ / ₄	4	635
	JPS-3871-24	24	62 ¹ / ₄		59	660										
	JPS-3871-30	30	68 ¹ / ₄		65	680										
	JPS-3871-36	36	74	70 ¹ / ₂	17 ¹ / ₂	720										
4 ¹⁵ / ₁₆	JPS-3879-18	18	59 ¹ / ₂	1 ³ / ₄	56	19	11 ⁵ / ₁₆	23 ¹ / ₂	9	5	5	10	1 ¹ / ₄	9 ³ / ₈	4 ³ / ₄	800
	JPS-3879-24	24	65 ¹ / ₂		62											820
	JPS-3879-30	30	71 ¹ / ₂		68											850
	JPS-3879-36	36	77		73											18 ¹ / ₂

- NOTES: 1) Dimensions subject to change. Certified dimensions of ordered material furnished on request.
 2) For special shaft sizes not listed contact Jones Bearing.
 3) For takeup blocks/spherical units, see pg. 6.

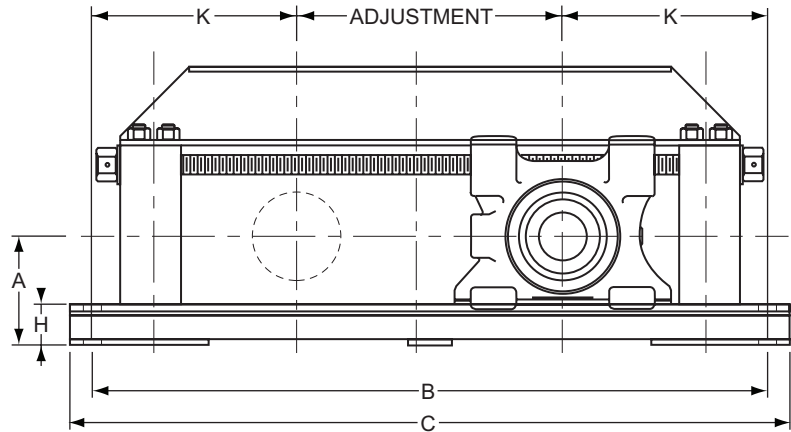
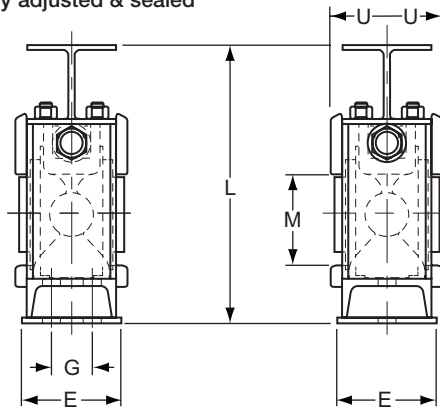


I-Frame Heavy Duty Takeups

JSH-B22500H

Jones

- Extra-strength welded steel frame
- Self-aligning
- Spring locking collar
- Factory adjusted & sealed



SHAFT DIA.	ADJ.	TAKEUP NO.	A	B	C	E	Bolts F	G	H	K	L	M	U
1 15/16	12	JSH-B22531H-12	3 15/16	27 1/2	29 1/2	3 1/2	5/8	—	1 3/4	7 3/4	10 5/8	2 15/16	1 29/32
	18	JSH-B22531H-18		33 1/2	35 1/2								
	24	JSH-B22531H-24		39 1/2	41 1/2								
2 3/16	12	JSH-B22535H-12	4 7/16	27 1/2	29 1/2	4 1/2	5/8	—	2	7 3/4	11 1/4	3 3/8	2 1/16
	18	JSH-B22535H-18		33 1/2	35 1/2								
	24	JSH-B22535H-24		39 1/2	41 1/2								
2 7/16	12	JSH-B22539H-12	4 5/8	28 1/2	30 1/2	4 1/2	3/4	—	2	8 1/4	12 3/4	3 5/8	2 3/16
	18	JSH-B22539H-18		34 1/2	36 1/2								
	24	JSH-B22539H-24		40 1/2	42 1/2								
2 15/16	12	JSH-B22547H-12	5 1/8	30 1/2	32 1/2	4 1/2	5/8	2	2	9 1/4	13 7/8	4 3/16	2 7/16
	18	JSH-B22547H-18		36 1/2	38 1/2								
	24	JSH-B22547H-24		42 1/2	44 1/2								
	30	JSH-B22547H-30		48 1/2	50 1/2								
	36	JSH-B22547H-36		54 1/2	56 1/2								
3 7/16	12	JSH-B22555H-12	5 5/8	32	34 1/4	4 1/2	3/4	2	2	10	15	5	2 21/32
	18	JSH-B22555H-18		38	40 1/4								
	24	JSH-B22555H-24		44	46 1/4								
	30	JSH-B22555H-30		50	52 1/4								
	36	JSH-B22555H-36		56	58 1/4								
3 15/16	12	JSH-B22563H-12	7	36	38 1/2	5 1/2	3/4	2 1/2	2 1/4	12	17	5 29/32	3 1/16
	18	JSH-B22563H-18		42	44 1/2								
	24	JSH-B22563H-24		48	50 1/2								
	30	JSH-B22563H-30		54	56 1/2								
	36	JSH-B22563H-36		60	62 1/2								

NOTES: 1) Dimensions subject to change. Certified dimensions of ordered material furnished on request.
2) Lubrication fitting tap size: 1/8" PT.

User Benefits

Self Alignment is independent of the roller bearing, occurring between the spherical unit and the pillow block housing. Alignment occurs as the spherical unit pivots or slides in the pillow block housing on the machined spherical ring of the spherical housing. This design maintains gaps or labyrinths between the seals and the housing under all conditions of operation, permitting them to be positively sealed with grease.

The outer housing is a two piece design made of sturdy and generously proportioned cast iron. The housing is designed for heavy duty service utilizing a solid casting with no cored sections in the mounting feet to weaken the bearing support. The cap & base are machined as a matched unit to assure close tolerance and precise fit of the spherical unit in the straight bore (expansion type) or the spherical bore (non-expansion type). The two piece construction permits easy removal of the spherical bearing unit and shaft without changing the alignment position.

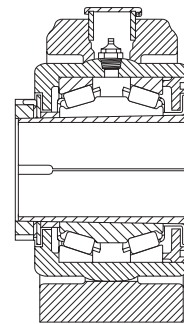
The Double Row Tapered Roller Bearings are factory sealed in the spherical unit at the time of assembly and need not be disassembled on the jobsite at the time of installation.

The mounting base is solid under the mounting bolts for a rigid support and is generously proportioned so that a dowel pin may be used if necessary. The slotted, cored base bolt holes simplify mounting and permit maximum lateral adjustment. Cored base holes are standard, but drilled base holes (optional) are available if desired.

The hydraulic type grease fitting mounted in a bushing is fully protected from dust, dirt and possible damage by a spring type dust cap.

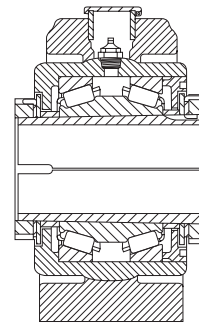
Expansion Pillow Block

Section through an Expansion Type Pillow Block showing the straight bore in the cap and base. This design is used in the adaptor for bearings with shaft diameters of 1¹⁵/₁₆" to 3⁷/₁₆" inclusive.



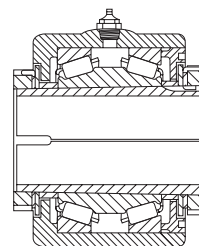
Non-Expansion Pillow Block

Section through a Non-Expansion Type Pillow Block with a spherical bore in the cap and base. This adaptor design with a backing off nut is used for the bearings with shaft diameters of 3¹⁵/₁₆" to 9" inclusive.



Spherical unit

Section through a spherical unit. Note how the spherical ring will fit in either the straight bore of the expansion type pillow block Housing or in the mating spherical ring bore of the non-expansion type pillow block housing.



Used in either block